

## Adjustable handles, die-cast zinc with internal thread, threaded insert stainless steel - inch

Item description/product images

INCH  
Parts



### Description

**Material:**

Handle die-cast zinc DIN EN 12844.

Steel parts stainless steel 1.4305 (AISI 303 equivalent).

**Version:**

Handle powder-coated.

Stainless steel parts bright.

**Note:**

Standard colors are:

black satin finish, silver metallic.

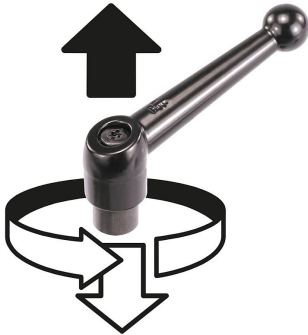
**On request:**

Other threads, colors and special versions.

Dimension "H1" available in other lengths at extra charge.

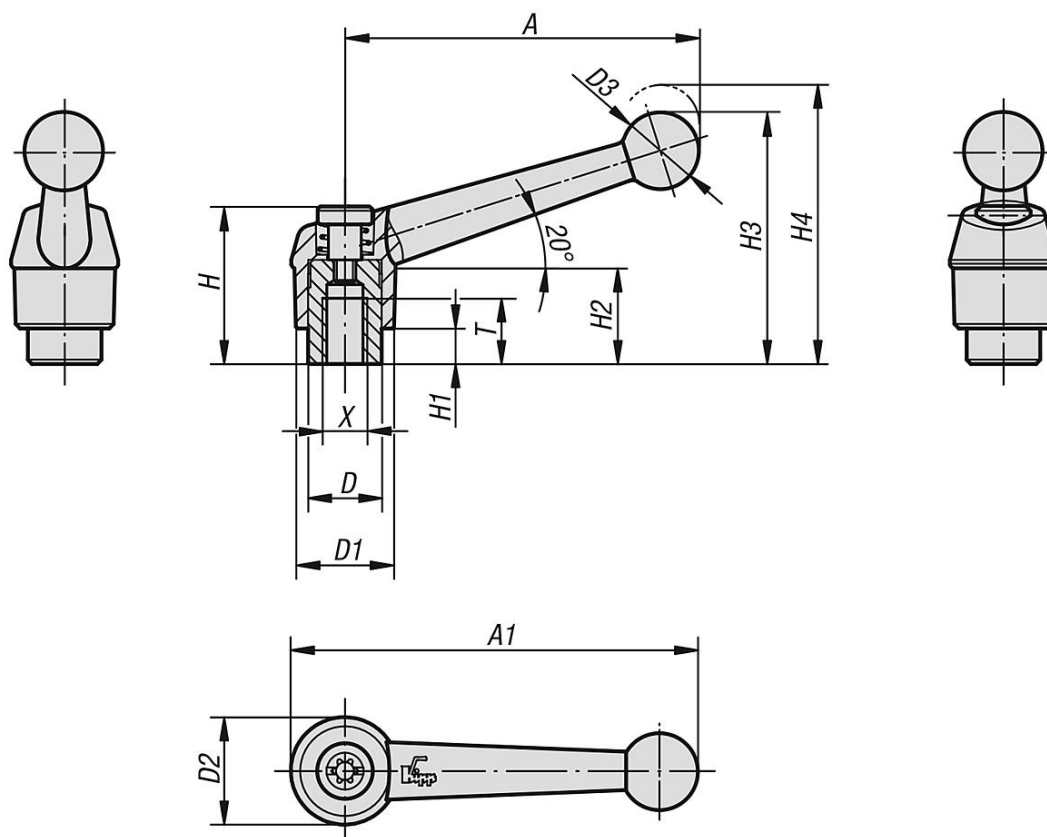


lift to  
disengage



## Adjustable handles, die-cast zinc with internal thread, threaded insert stainless steel - inch

Drawings



### Adjustable handles with internal thread, steel parts stainless steel

Order No.	Main color	Size	X	T	D	D1	D2	D3	H	H1	H2	H3	H4	A	A1	No. of teeth
K0117.1A01	black	1	10-24	9	10	13	14	10,5	24,5	4	15	32,5	35,5	39	46	16
K0117.1A11	black	1	10-32	9	10	13	14	10,5	24,5	4	15	32,5	35,5	39	46	16
K0117.1A21	black	1	1/4-20	9	10	13	14	10,5	24,5	4	15	32,5	35,5	39	46	16
K0117.2A21	black	2	1/4-20	12	13,5	18	18,5	15,5	28,5	6,5	16,5	45,5	49,5	64	73	20
K0117.2A31	black	2	5/16-18	12	13,5	18	18,5	15,5	28,5	6,5	16,5	45,5	49,5	64	73	20
K0117.3A31	black	3	5/16-18	14	16	21	22	17	37	10	23	57,5	61,5	79	90	22
K0117.3A41	black	3	3/8-16	14	16	21	22	17	37	10	23	57,5	61,5	79	90	22
K0117.4A41	black	4	3/8-16	17	19	25	26	19	42,5	10	26	67	72	95	108	24
K0117.4A51	black	4	1/2-13	17	19	25	26	19	42,5	10	26	67	72	95	108	24
K0117.5A51	black	5	1/2-13	23	23	30	31	22	49	12	32	79	84	110	126	26
K0117.5A61	black	5	5/8-11	23	23	30	31	22	49	12	32	79	84	110	126	26
K0117.1A03	silver metallic	1	10-24	9	10	13	14	10,5	24,5	4	15	32,5	35,5	39	46	16
K0117.1A13	silver metallic	1	10-32	9	10	13	14	10,5	24,5	4	15	32,5	35,5	39	46	16
K0117.1A23	silver metallic	1	1/4-20	9	10	13	14	10,5	24,5	4	15	32,5	35,5	39	46	16
K0117.2A23	silver metallic	2	1/4-20	12	13,5	18	18,5	15,5	28,5	6,5	16,5	45,5	49,5	64	73	20
K0117.2A33	silver metallic	2	5/16-18	12	13,5	18	18,5	15,5	28,5	6,5	16,5	45,5	49,5	64	73	20
K0117.3A33	silver metallic	3	5/16-18	14	16	21	22	17	37	10	23	57,5	61,5	79	90	22
K0117.3A43	silver metallic	3	3/8-16	14	16	21	22	17	37	10	23	57,5	61,5	79	90	22
K0117.4A43	silver metallic	4	3/8-16	17	19	25	26	19	42,5	10	26	67	72	95	108	24
K0117.4A53	silver metallic	4	1/2-13	17	19	25	26	19	42,5	10	26	67	72	95	108	24
K0117.5A53	silver metallic	5	1/2-13	23	23	30	31	22	49	12	32	79	84	110	126	26
K0117.5A63	silver metallic	5	5/8-11	23	23	30	31	22	49	12	32	79	84	110	126	26

## **K0117 inch**

**Adjustable handles, die-cast zinc with internal thread, threaded insert  
stainless steel - inch**

---

