

Handwheels - inch

Item description/product images

INCH
Parts

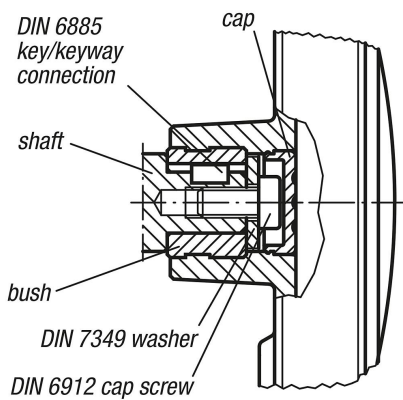


Description

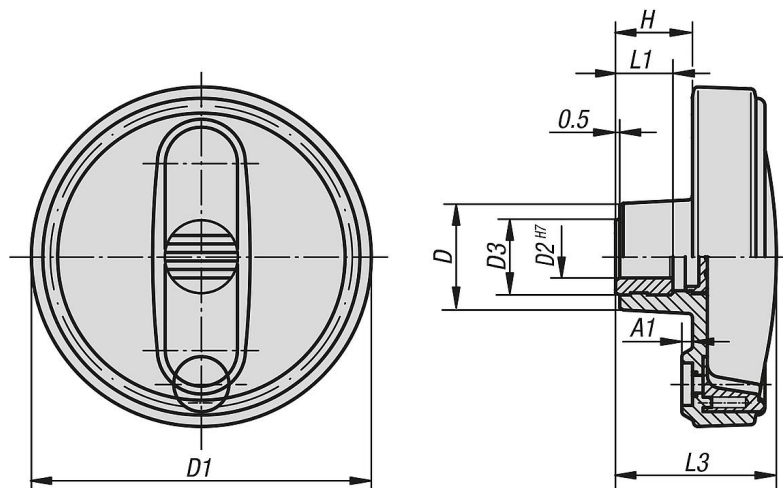
Material:
Black gray thermoplastic.

Version:
Steel parts black oxidized.

Note:
The hub cap is supplied loose.
The handwheels can be secured using a transverse pin or by parallel key connection together with a DIN 6912 socket head screw and a DIN 7349 washer.



Drawings



Handwheels

Item No.	Version 1	Version 2	Size	D	D1	D2	D3	A1	H	L1	L3
K0256.1080C0	reamed hole	without transverse hole	1	25	80	0,375	19	2,5	17,5	13	37,5

Item No.	Version 1	Version 2	Size	D	D1	D2	D3	A1	H	L1	L3
K0256.2100CO	reamed hole	without transverse hole	2	28	100	0,375	19	3	20	13	44
K0256.2100CP	reamed hole	without transverse hole	2	28	100	0,5	19	3	20	13	44
K0256.3125CP	reamed hole	without transverse hole	3	35	125	0,5	25	4	23,5	18,5	53
K0256.4160CP	reamed hole	without transverse hole	4	45	160	0,5	25	5,6	28	18,5	64,5
K0256.4160CQ	reamed hole	without transverse hole	4	45	160	0,625	25	5,6	28	18,5	64,5