

Crank handles with fold-away grip, without keyway - inch

Item description/product images



Description

Material:

Crank thermoplastic.
Cylinder grip thermoplastic and steel.

Version:

Black gray thermoplastic.
Steel parts black oxidized.

Note:

The hub cover is supplied unassembled.
The crank handles can be secured to the shaft by cross-pinning or by parallel key together with a DIN 6912 socket head screw and DIN 7349 washer.
Versions with transverse bore are secured using the ISO 4027 (DIN 914) grub screw.

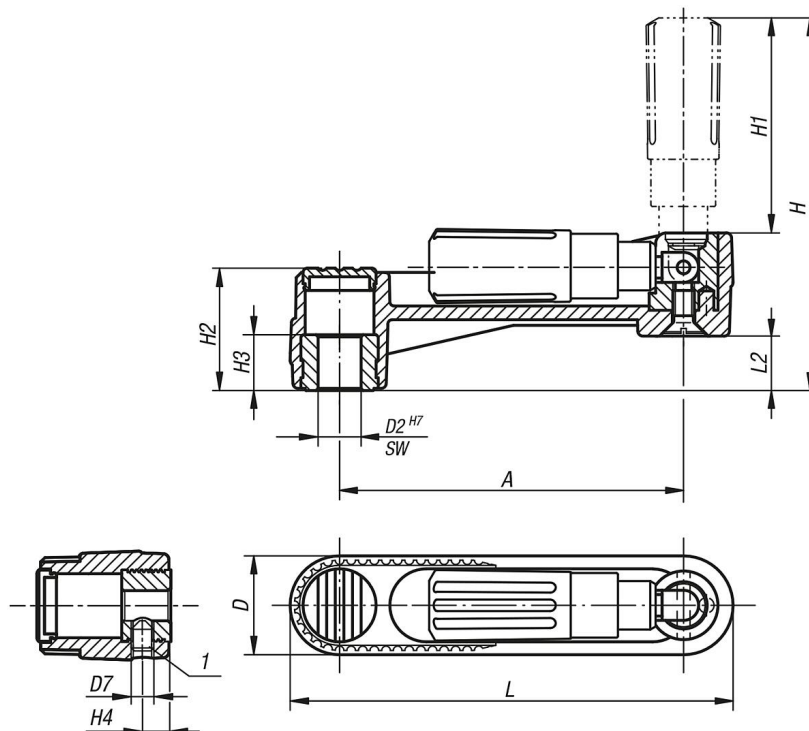
Accessory:

K1160 Cap screws with low head DIN 6912

Drawing reference:

1) Position of the transverse bore to the keyway is offset by 90°.

Drawings



Crank handles with fold-away grip, without keyway - inch

Crank handles with fold-down grip

Item No.	Version 1	Size	Version 2	A	D	D2	D7	H	H1	H2	H3	H4	L	L2
K0266.11C0	reamed hole	1	without transverse hole	80	24	0,375	-	85,7	49	28,5	13	-	104	12,7
K0266.12C0	reamed hole	2	without transverse hole	100	29	0,375	-	105,2	59,5	35,5	13	-	129	15,7
K0266.12CP	reamed hole	2	without transverse hole	100	29	0,5	-	105,2	59,5	35,5	13	-	129	15,7
K0266.13CP	reamed hole	3	without transverse hole	125	36	0,5	-	140	83	44	18,5	-	161	19,5