

Handwheels disc, aluminum, with fixed cylinder grip - inch

Item description/product images

INCH
Parts



Description

Material:

Disc handwheel aluminum.
Cylinder grip black thermoset PF 31-DIN 7708.
Hub electro zinc-plated steel.

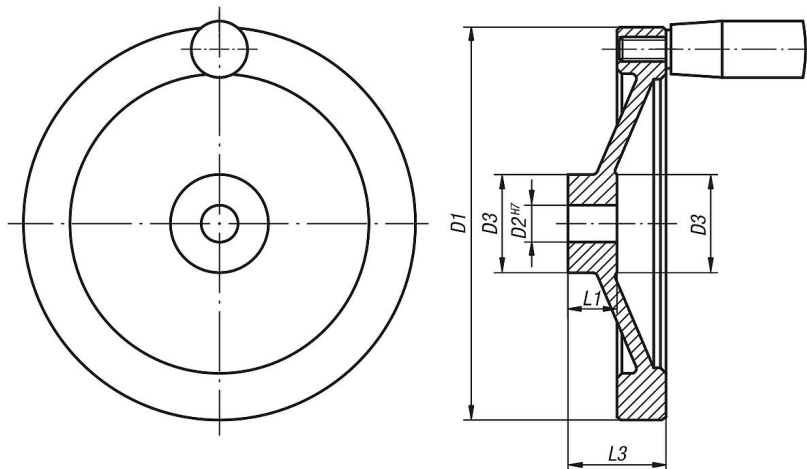
Version:

Wheel rim turned and polished.

On request:

Hubs with square socket or powder-coated handwheels.

Drawings



Item No.	D1	D2	D3	L1	L3	Fixed cylinder grip
K0161.2080XCN	80	0,312	26	16	31	ø18 x M6 x 40
K0161.2080XCO	80	0,375	26	16	31	ø18 x M6 x 40
K0161.2100XCO	100	0,375	31	17	34	ø18 x M6 x 40
K0161.2100XCP	100	0,5	31	17	34	ø18 x M6 x 40
K0161.2125XCO	125	0,375	30	18	37	ø21 x M8 x 50
K0161.2125XCP	125	0,5	30	18	37	ø21 x M8 x 50
K0161.2140XCP	140	0,5	34	19	34	ø21 x M8 x 50
K0161.2140XCQ	140	0,625	34	19	34	ø21 x M8 x 50
K0161.2160XCP	160	0,5	40	20	40	ø26 x M10 x 80
K0161.2160XCQ	160	0,625	40	20	40	ø26 x M10 x 80
K0161.2200XCQ	200	0,625	50	24	46	ø26 x M10 x 80
K0161.2200XCR	200	0,75	50	24	46	ø26 x M10 x 80

Handwheels disc, aluminum, with fixed cylinder grip - inch

Item No.	D1	D2	D3	L1	L3	Fixed cylinder grip
K0161.2250XCR	250	0,75	50	28	49	ø28 x M12 x 90
K0161.2250XCV	250	0,875	50	28	49	ø28 x M12 x 90