

## Handwheels disc, aluminum, with revolving cylinder grip - inch

Item description/product images

INCH  
Parts



### Description

#### Material:

Disc handwheel aluminum.  
Cylinder grip black thermoset PF 31-DIN 7708.  
Hub electro zinc-plated steel.

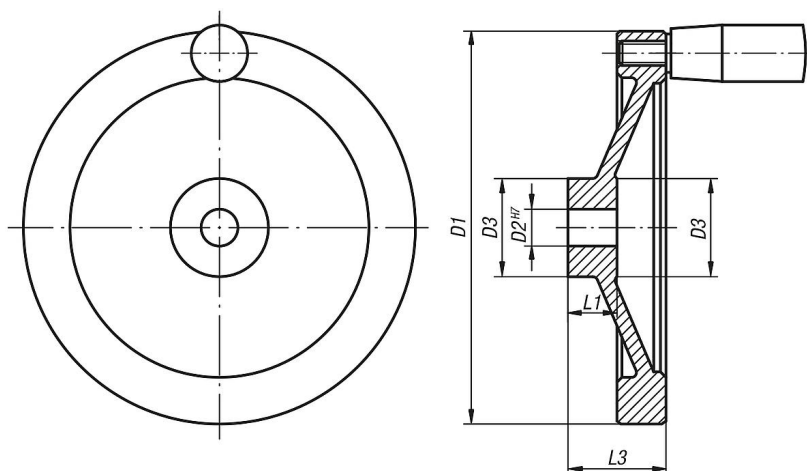
#### Version:

Wheel rim turned and polished.

#### On request:

Hubs with square socket or powder-coated handwheels.

### Drawings



Item No.	D1	D2	D3	L1	L3	Revolving cylinder grip
K0161.4080XCN	80	0,312	26	16	31	ø18 x M6 x 40
K0161.4080XCO	80	0,375	26	16	31	ø18 x M6 x 40
K0161.4100XCO	100	0,375	31	17	34	ø18 x M6 x 40
K0161.4100XCP	100	0,5	31	17	34	ø18 x M6 x 40
K0161.4125XCO	125	0,375	30	18	37	ø22 x M8 x 56
K0161.4125XCP	125	0,5	30	18	37	ø22 x M8 x 56
K0161.4140XCP	140	0,5	34	19	34	ø22 x M8 x 56
K0161.4140XCQ	140	0,625	34	19	34	ø22 x M8 x 56
K0161.4160XCP	160	0,5	40	20	40	ø26 x M10 x 80
K0161.4160XCQ	160	0,625	40	20	40	ø26 x M10 x 80
K0161.4200XCQ	200	0,625	50	24	46	ø26 x M10 x 80
K0161.4200XCR	200	0,75	50	24	46	ø26 x M10 x 80
K0161.4250XCR	250	0,75	50	28	49	ø31 x M12 x 102
K0161.4250XCV	250	0,875	50	28	49	ø31 x M12 x 102

