

## Disc handwheels with revolving grip, style E, with reamed hole - inch

Item description/product images

INCH  
Parts



### Description

**Material:**

Thermoset PF 31, black.  
Hub nickel-plated steel.  
Revolving grip, nickel-plated steel parts.

**Version:**

High-gloss polished.

**Note:**

The handwheel is supplied with the grip loose.

**On request:**

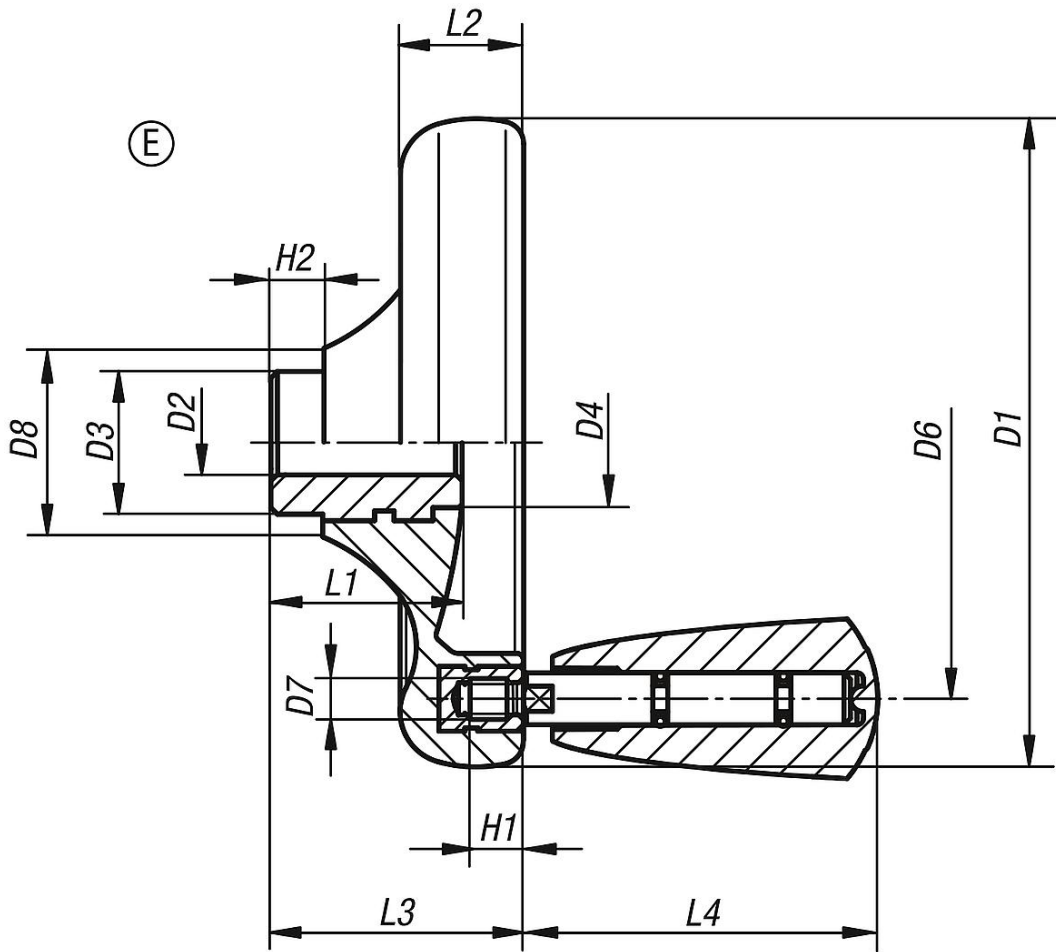
Other reamed hole sizes.

**Drawing reference:**

Style E: thru bore hole

## Disc handwheels with revolving grip, style E, with reamed hole - inch

### Drawings



Item No.	style	Style definition	Steel parts material	D1	D2	D3	D4	D6	D7	H1	H2	L1	L2	L3	L4
K0164.1100XCM	E	with reamed hole	steel	100	0,25	22	20	79	M6	9	8	29,5	19	39	54,7
K0164.1125XCO	E	with reamed hole	steel	125	0,375	26	21	101	M6	9	8	34	24	46	54,7
K0164.1140XCP	E	with reamed hole	steel	140	0,5	30	25	110	M8	12	8	38,5	27	52	82,2
K0164.1160XCQ	E	with reamed hole	steel	160	0,625	33	30	128	M8	12	8	41,3	30,1	57	82,2
K0164.1160XCR	E	with reamed hole	steel	160	0,75	33	30	128	M8	12	8	41,3	30,1	57	82,2