

Disc handwheels without grip, steel bushing, style E, with reamed hole - inch

Item description/product images

INCH
Parts



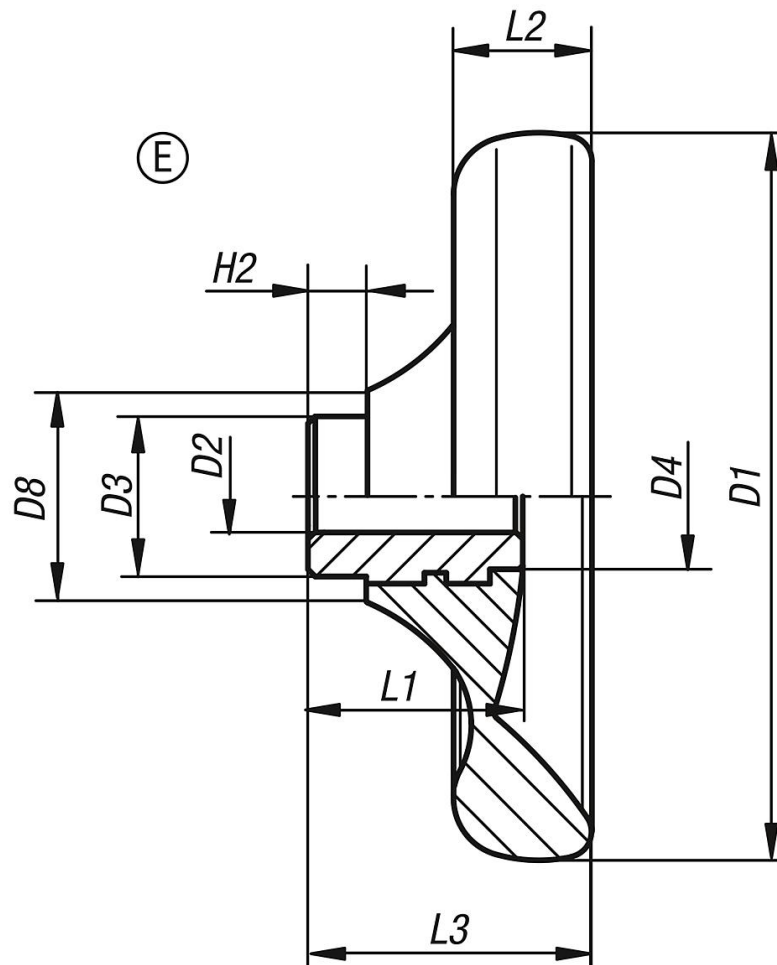
Description

Material:
Black thermoset PF 31.
Hub nickel-plated steel.

Version:
High-gloss polished.

On request:
Other reamed hole sizes.

Drawings



Disc handwheels without grip, steel bushing, style E, with reamed hole - inch

Item No.	style	Size	D1	D2	D3	D4	D8	H2	L1	L2	L3
K0165.1100XCM	E	1	100	0,25	22	20	29	8	29,5	19	39
K0165.1125XCO	E	2	125	0,375	26	21	34	8	34	24	46
K0165.1140XCP	E	3	140	0,5	30	25	39	8	38,5	27	52
K0165.1160XCQ	E	4	160	0,625	33	30	43	8	41,3	30,1	57
K0165.1160XCR	E	4	160	0,75	33	30	43	8	41,3	30,1	57