

## Swivel feet, style C and D - inch

Item description/product images

INCH  
Parts

### Description

**Material, version:**

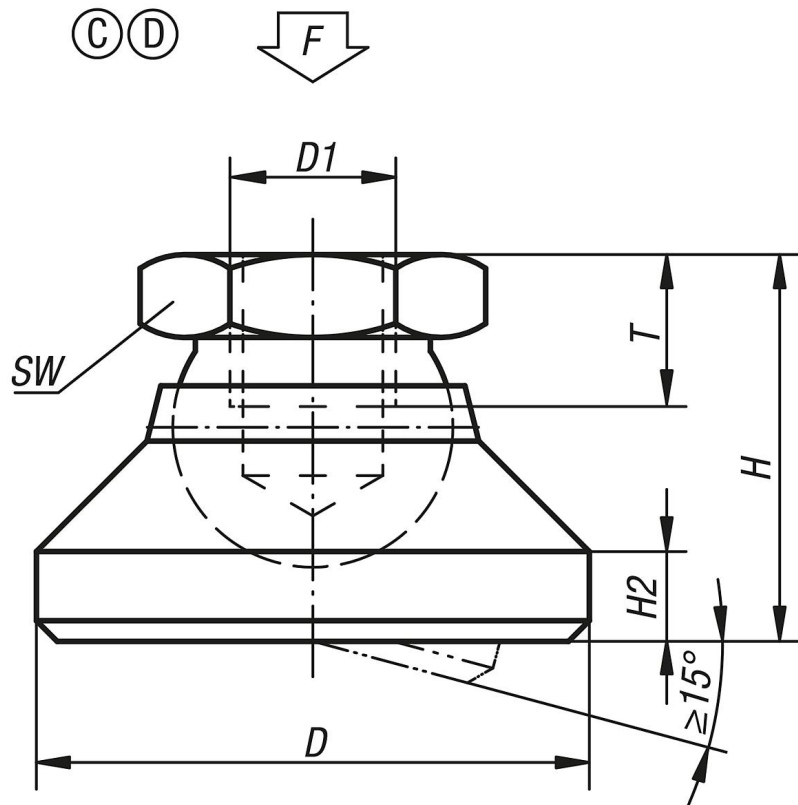
style C: Foot POM, ball element case-hardened steel, black oxidized.

style D: Foot POM, ball element stainless steel, bright.



## Swivel feet, style C and D - inch

### Drawings



Order No.	style	D	D1	H	H2	T	SW	Load rating max. kN
K0395.5A2	C	20	1/4-20	15	2,5	8,5	10	4
K0395.5A3	C	25	5/16-18	18	4	9	13	7
K0395.5A4	C	32	3/8-16	22	5	10	17	10
K0395.5A5	C	40	1/2-13	26	6	12	19	18
K0395.5A6	C	50	5/8-11	32	7	14	24	20
K0395.5A7	C	60	3/4-10	42	8	18	30	22
K0395.2A2	D	20	1/4-20	15	2,5	8,5	10	4
K0395.2A3	D	25	5/16-18	18	4	9	13	7
K0395.2A4	D	32	3/8-16	22	5	10	17	10
K0395.2A5	D	40	1/2-13	26	6	12	19	18
K0395.2A6	D	50	5/8-11	32	7	14	24	20
K0395.2A7	D	60	3/4-10	42	8	18	30	22