

Swivel feet, style G - inch

Item description/product images

INCH
Parts



Description

Material, version:

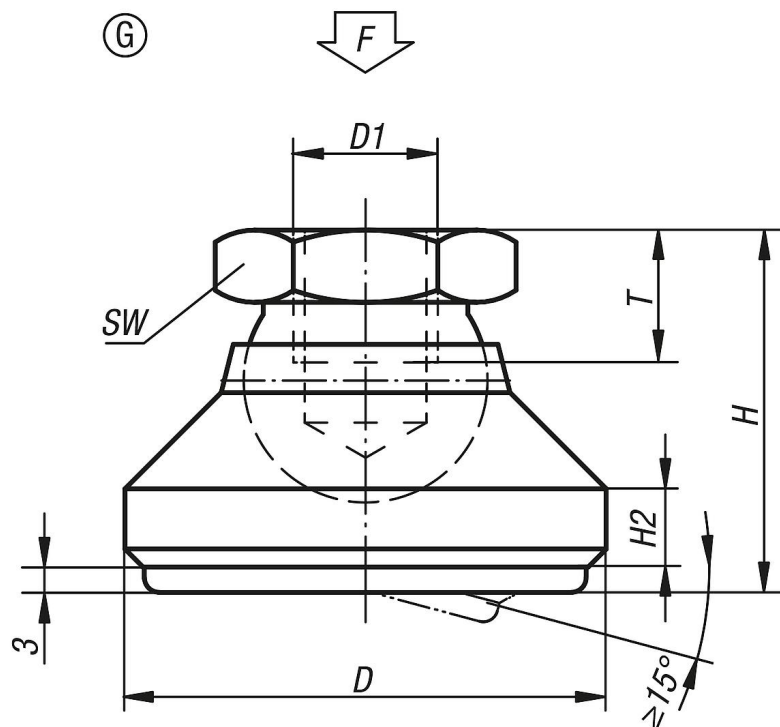
style G: Foot carbon steel, ball element case-hardened steel, black oxidized.

Anti-slip plate thermoplastic elastomer.

Note:

The anti-slip plate absorbs vibrations and prevents the swivel foot slipping
The loading indicated in the table is a recommendation up to which permanent static load the swivel foot can be used.

Drawings



Order No.	style	D	D1	H	H2	T	SW	Load rating max. kN
K0395.4A4	G	32	3/8-16	25	5	10	17	12
K0395.4A5	G	40	1/2-13	29	6	12	19	17
K0395.4A6	G	50	5/8-11	35	7	14	24	20
K0395.4A7	G	60	3/4-10	45	8	18	30	24

