

Adjustable handles, plastic with external thread and push button, threaded insert stainless steel - inch

Item description/product images



INCH
Parts



Description

Material:

Handle fiberglass reinforced plastic, toothed ring die-cast zinc.
Metal parts stainless steel 1.4305 (AISI 303 equivalent).
Push button plastic (POM).

Version:

Steel parts bright.

Note:

The standard colors are:
Black gray handle, traffic red push button.
Orange handle, black gray push button.
Traffic red handle, black gray push button.

Where $L \geq 60$ mm the thread length is 60 mm.

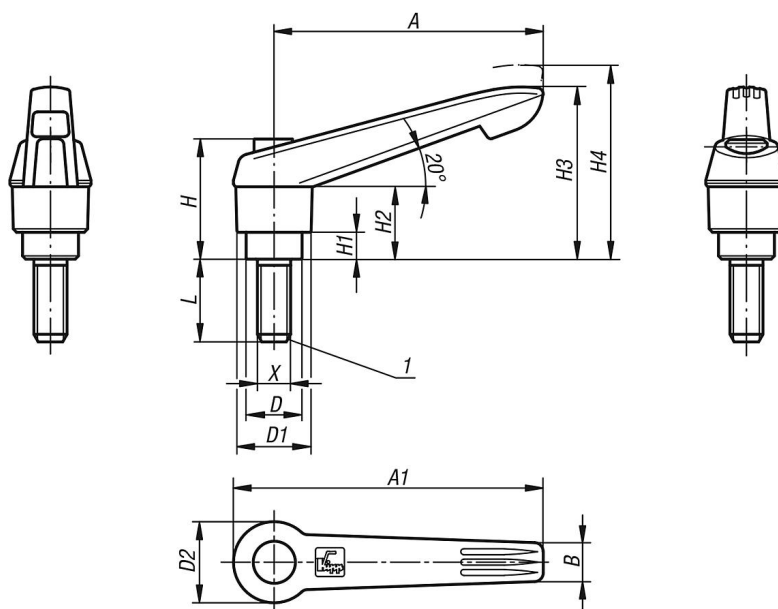
On request:

Other threads, screw lengths and special versions.
Dimension "H1" available in other lengths at extra charge.

Drawing reference:

1) flat point DIN EN ISO 4753

Drawings



Adjustable handles with push button, external thread, metal parts stainless steel

Order No.	Main color	Size	X	D	D1	D2	H	H1	H2	H3	H4	A	A1	B	No. of teeth	L
K0270.711A0X15	black gray RAL 7021	1	10-24	10	13	14,5	25,5	4	15	30	33,5	40	47	7,5	16	15
K0270.711A0X20	black gray RAL 7021	1	10-24	10	13	14,5	25,5	4	15	30	33,5	40	47	7,5	16	20

Adjustable handles, plastic with external thread and push button, threaded insert stainless steel - inch

Order No.	Main color	Size	X	D	D1	D2	H	H1	H2	H3	H4	A	A1	B	No. of teeth	L
K0270.732A3X15	traffic red RAL 3020	2	5/16-18	13,5	18	19,5	29,5	6,5	17,5	41,5	45,5	65	75	9,5	20	15
K0270.732A3X20	traffic red RAL 3020	2	5/16-18	13,5	18	19,5	29,5	6,5	17,5	41,5	45,5	65	75	9,5	20	20
K0270.732A3X25	traffic red RAL 3020	2	5/16-18	13,5	18	19,5	29,5	6,5	17,5	41,5	45,5	65	75	9,5	20	25
K0270.732A3X30	traffic red RAL 3020	2	5/16-18	13,5	18	19,5	29,5	6,5	17,5	41,5	45,5	65	75	9,5	20	30
K0270.732A3X40	traffic red RAL 3020	2	5/16-18	13,5	18	19,5	29,5	6,5	17,5	41,5	45,5	65	75	9,5	20	40
K0270.732A3X50	traffic red RAL 3020	2	5/16-18	13,5	18	19,5	29,5	6,5	17,5	41,5	45,5	65	75	9,5	20	50
K0270.732A3X60	traffic red RAL 3020	2	5/16-18	13,5	18	19,5	29,5	6,5	17,5	41,5	45,5	65	75	9,5	20	60
K0270.732A4X20	traffic red RAL 3020	2	3/8-16	13,5	18	19,5	29,5	6,5	17,5	41,5	45,5	65	75	9,5	20	20
K0270.732A4X25	traffic red RAL 3020	2	3/8-16	13,5	18	19,5	29,5	6,5	17,5	41,5	45,5	65	75	9,5	20	25
K0270.732A4X30	traffic red RAL 3020	2	3/8-16	13,5	18	19,5	29,5	6,5	17,5	41,5	45,5	65	75	9,5	20	30
K0270.732A4X40	traffic red RAL 3020	2	3/8-16	13,5	18	19,5	29,5	6,5	17,5	41,5	45,5	65	75	9,5	20	40
K0270.732A4X50	traffic red RAL 3020	2	3/8-16	13,5	18	19,5	29,5	6,5	17,5	41,5	45,5	65	75	9,5	20	50
K0270.732A4X60	traffic red RAL 3020	2	3/8-16	13,5	18	19,5	29,5	6,5	17,5	41,5	45,5	65	75	9,5	20	60
K0270.733A3X20	traffic red RAL 3020	3	5/16-18	16	21,5	23	38,5	10	24	53,5	58	80	91,5	11	22	20
K0270.733A3X25	traffic red RAL 3020	3	5/16-18	16	21,5	23	38,5	10	24	53,5	58	80	91,5	11	22	25
K0270.733A3X30	traffic red RAL 3020	3	5/16-18	16	21,5	23	38,5	10	24	53,5	58	80	91,5	11	22	30
K0270.733A3X40	traffic red RAL 3020	3	5/16-18	16	21,5	23	38,5	10	24	53,5	58	80	91,5	11	22	40
K0270.733A3X50	traffic red RAL 3020	3	5/16-18	16	21,5	23	38,5	10	24	53,5	58	80	91,5	11	22	50
K0270.733A3X60	traffic red RAL 3020	3	5/16-18	16	21,5	23	38,5	10	24	53,5	58	80	91,5	11	22	60
K0270.733A4X20	traffic red RAL 3020	3	3/8-16	16	21,5	23	38,5	10	24	53,5	58	80	91,5	11	22	20
K0270.733A4X25	traffic red RAL 3020	3	3/8-16	16	21,5	23	38,5	10	24	53,5	58	80	91,5	11	22	25
K0270.733A4X30	traffic red RAL 3020	3	3/8-16	16	21,5	23	38,5	10	24	53,5	58	80	91,5	11	22	30
K0270.733A4X40	traffic red RAL 3020	3	3/8-16	16	21,5	23	38,5	10	24	53,5	58	80	91,5	11	22	40
K0270.733A4X50	traffic red RAL 3020	3	3/8-16	16	21,5	23	38,5	10	24	53,5	58	80	91,5	11	22	50
K0270.733A4X60	traffic red RAL 3020	3	3/8-16	16	21,5	23	38,5	10	24	53,5	58	80	91,5	11	22	60
K0270.734A5X25	traffic red RAL 3020	4	1/2-13	19	25,5	27,5	44,6	10	26	61	66	95	109	13	24	25
K0270.734A5X30	traffic red RAL 3020	4	1/2-13	19	25,5	27,5	44,6	10	26	61	66	95	109	13	24	30
K0270.734A5X40	traffic red RAL 3020	4	1/2-13	19	25,5	27,5	44,6	10	26	61	66	95	109	13	24	40
K0270.734A5X50	traffic red RAL 3020	4	1/2-13	19	25,5	27,5	44,6	10	26	61	66	95	109	13	24	50
K0270.734A5X60	traffic red RAL 3020	4	1/2-13	19	25,5	27,5	44,6	10	26	61	66	95	109	13	24	60
K0270.735A6X30	traffic red RAL 3020	5	5/8-11	23	30	32,5	50,6	12	33	72	77	110	126	15,5	26	30
K0270.735A6X40	traffic red RAL 3020	5	5/8-11	23	30	32,5	50,6	12	33	72	77	110	126	15,5	26	40
K0270.735A6X50	traffic red RAL 3020	5	5/8-11	23	30	32,5	50,6	12	33	72	77	110	126	15,5	26	50
K0270.735A6X60	traffic red RAL 3020	5	5/8-11	23	30	32,5	50,6	12	33	72	77	110	126	15,5	26	60