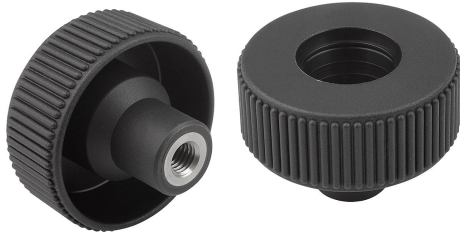


Knurled knobs, metal parts stainless steel, style D, with tapped bushing, without cap - inch

Item description/product images

INCH
Parts



Description

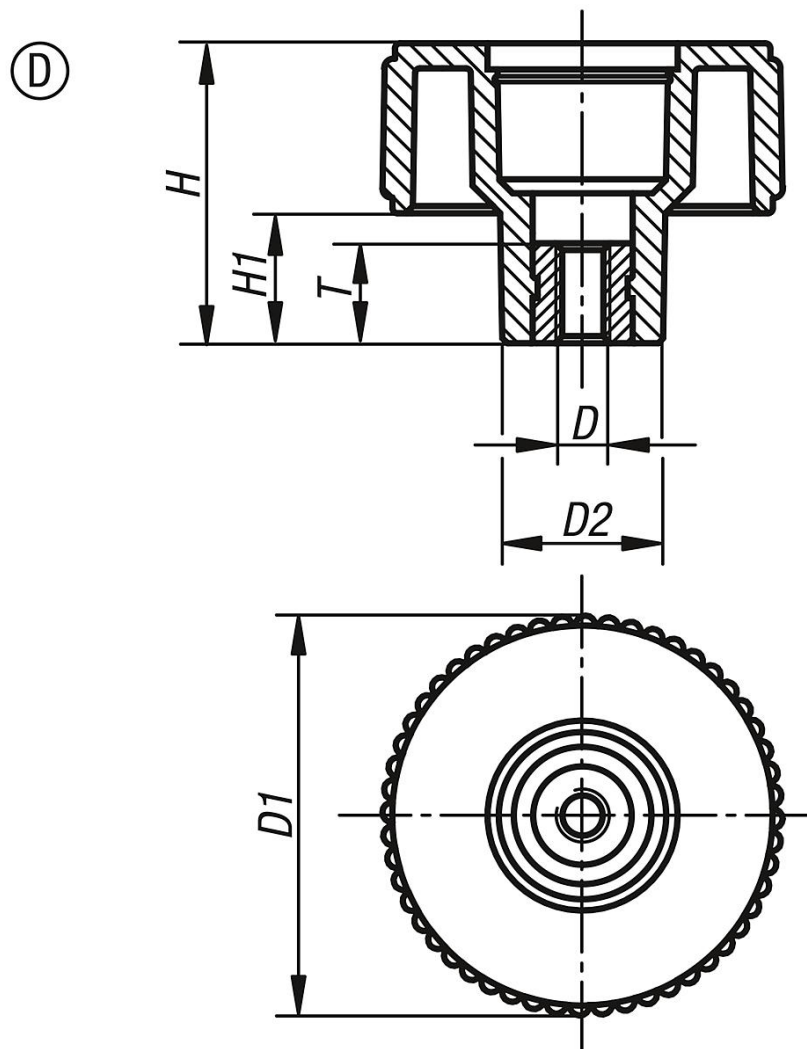
Material:

Thermoplastic, black gray.
bushing and screw stainless steel 1.4305 (AISI 303 equivalent).

Version:

Stainless steel bright.

Drawings



Item No.	style	D	D1	D2	H	H1	T
K0261.11A1	D	10-32	40	16,5	31	13	10
K0261.11A2	D	1/4-20	40	16,5	31	13	10
K0261.11A3	D	5/16-18	40	16,5	31	13	14
K0261.12A3	D	5/16-18	50	18	36	15	14

**Knurled knobs, metal parts stainless steel, style D, with tapped bushing,
without cap - inch**

Item No.	style	D	D1	D2	H	H1	T
K0261.12A4	D	3/8-16	50	18	36	15	14
K0261.13A4	D	3/8-16	63	22	41	17	14
K0261.13A5	D	1/2-13	63	22	41	17	18