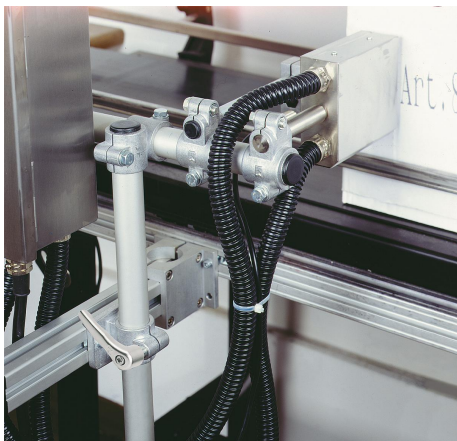


Tube clamps cross aluminum - inch

Item description/product images

INCH
Parts



Description

Material:

Cast aluminum.

DIN 7984 screws and DIN 985 nuts, steel.

Version:

Vibratory ground.

Screws and nuts electro zinc-plated.

Note:

The dimensions for A and B are in inches, all other dimensions are in mm.

On request:

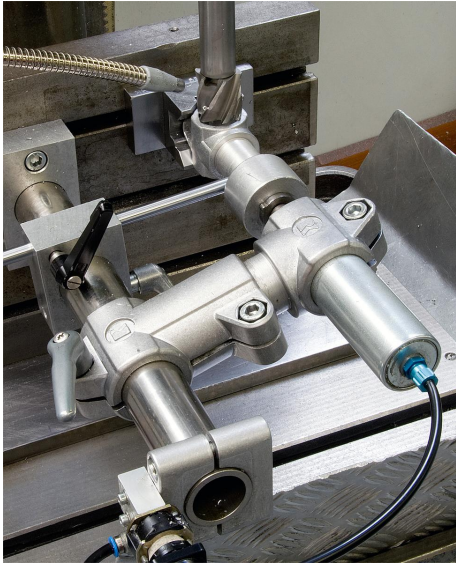
Adjustable handles for tightening.

Accessory:

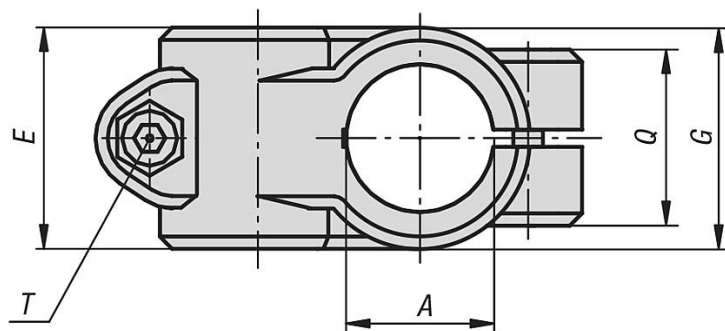
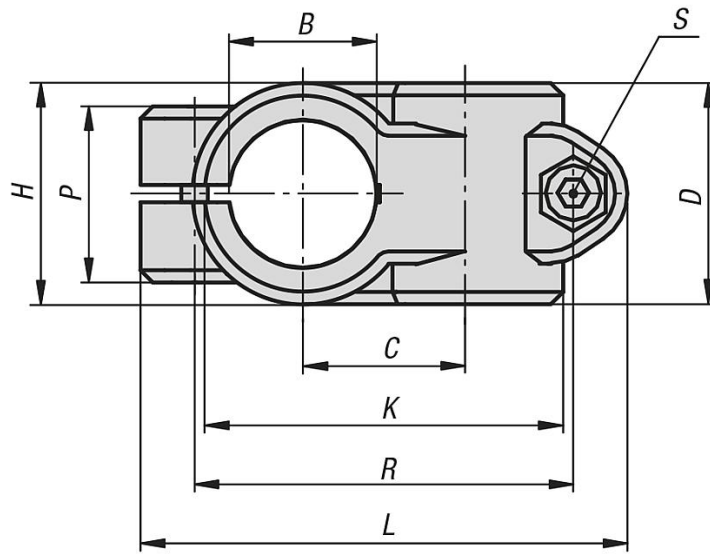
- Round and square tubes K0493

Tube clamps cross aluminum - inch

Item description/product images



Drawings



Tube clamps cross aluminum - inch

Tube clamps cross, aluminum

Item No.	A	B	C	D	E	G	H	K	L	P	Q	R	S	T
K0472.5CPCP	0.5	0.5	20	25,5	25,5	-	-	43,5	67	23	23	49	M6x20	M6x20
K0472.5CRCR	0.75	0.75	20	25,5	25,5	-	-	43,5	67	23	23	49	M6x20	M6x20
K0472.5CSCS	1	1	33	40	40	-	-	73	101	33	33	78	M8x25	M8x25
K0472.5CTCT	1.25	1.25	33	40	40	-	-	73	101	33	33	78	M8x25	M8x25
K0472.5D2D2	1.5	1.5	45	60	60	-	-	100	137	40	40	111	M10x30	M10x30
K0472.5D4D4	2	2	53	70	70	-	-	118	154	45	45	128	M10x35	M10x35
K0472.5CPCS	1	0.5	27	40	33	40	26	59	84	21	33	65	M8x25	M6x20
K0472.5CRCS	1	0.75	27	40	33	40	26	59	84	21	33	65	M8x25	M6x20