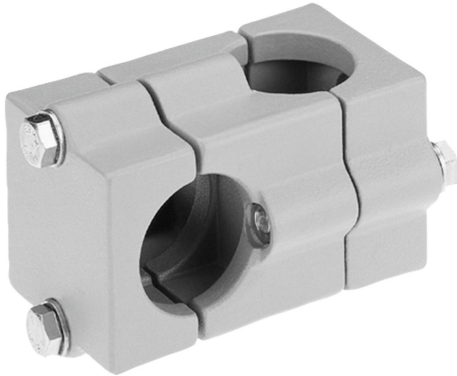


Tube clamps cross aluminum - inch

Item description/product images

INCH
Parts



Description

Material:

Cast aluminum.
Screws and nuts steel.

Version:

Vibratory ground.
Screws and nuts electro zinc-plated.

Note:

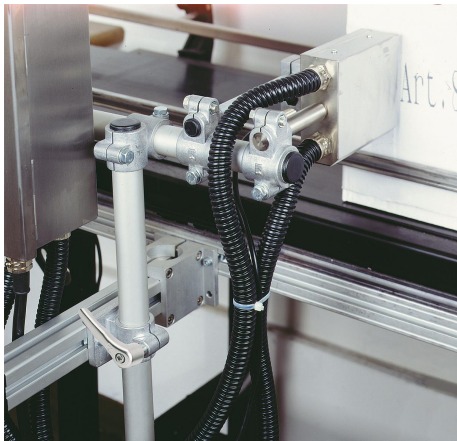
The dimensions for A and B are in inches, all other dimensions are in mm.

On request:

Adjustable handles for tightening.

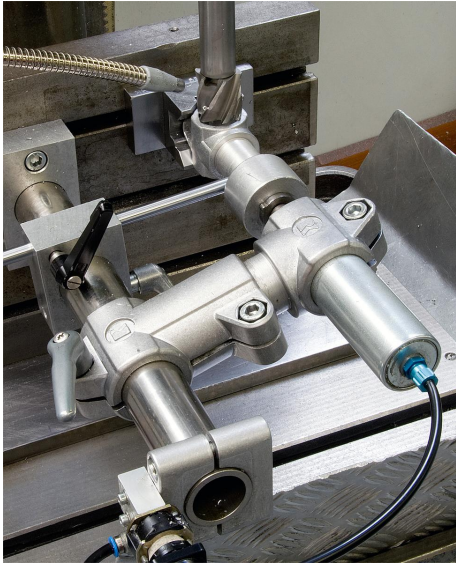
Accessory:

- Round and square tubes K0493

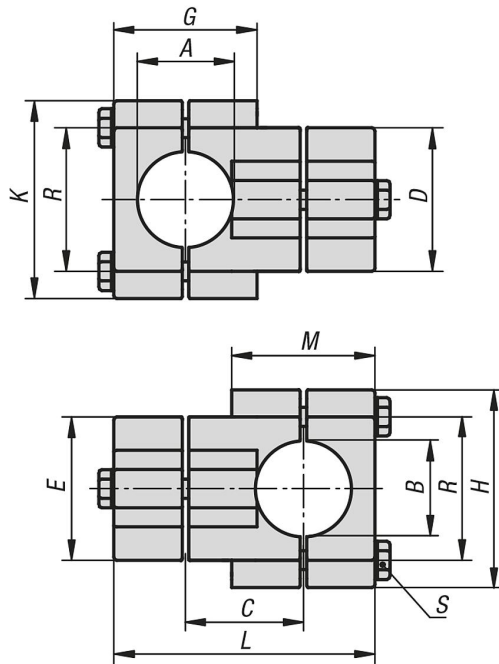


Tube clamps cross aluminum - inch

Item description/product images



Drawings



Tube clamps cross, aluminum

Item No.	A	B	C	D	E	G	H	K	L	M	R	S
K0472.52D2D2	1.5	1.5	50	60	60	61	75	75	111	61	57	M8x60

