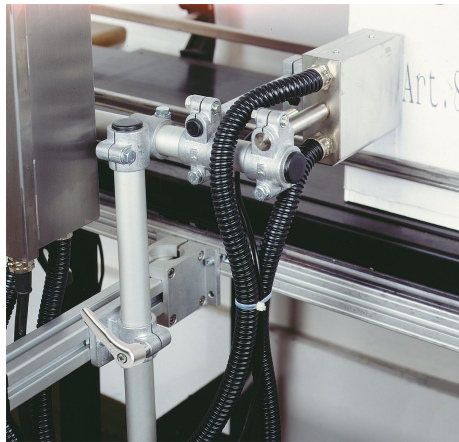


Tube clamps swivel aluminum - inch

Item description/product images

INCH
Parts



Description

Material:

Cast aluminum.
DIN 7984 screws and DIN 985 nuts, steel.

Version:

Vibratory ground.
Screws and nuts electro zinc-plated.

Note:

The dimensions for A and B are in inches, all other dimensions are in mm.

On request:

Adjustable handles for tightening and other diameters.

Function:

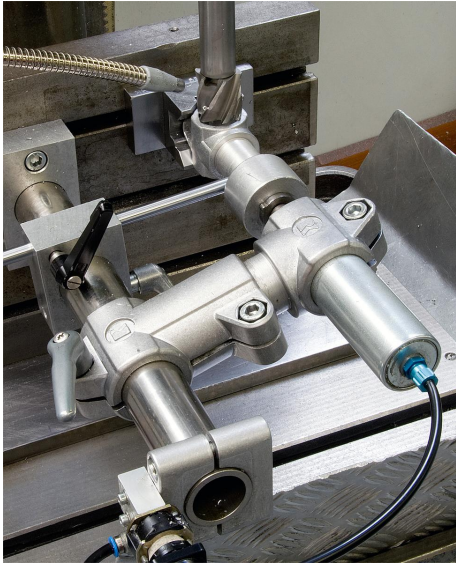
Swivel tube clamps can be infinitely rotated through 180°.

Accessory:

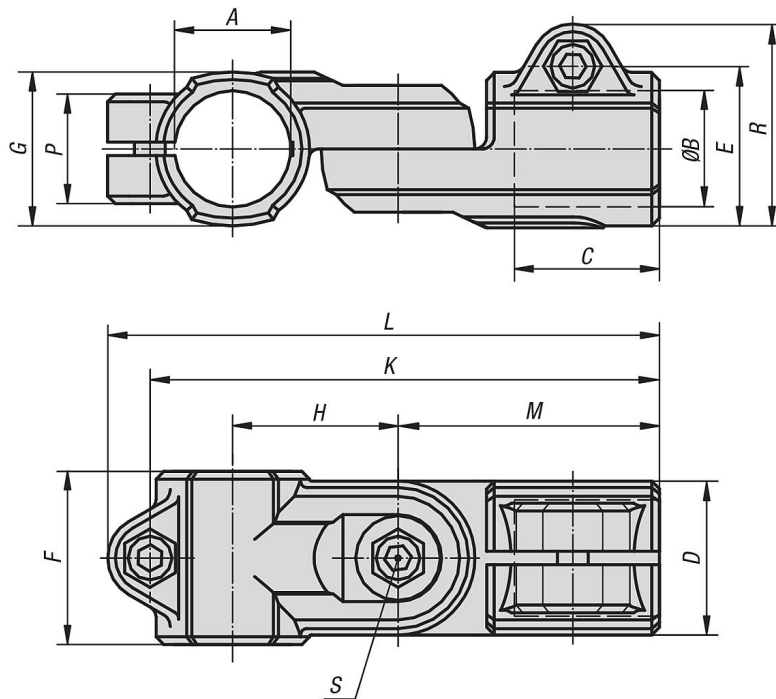
- Round and square tubes K0493

Tube clamps swivel aluminum - inch

Item description/product images



Drawings



Tube clamps swivel, aluminum

Order No.	A	B	C	D	E	F	G	H	K	L	M	P	R	S
K0488.5CP	0.5	0.5	25	26	29,4	30	26	27	87	95,5	44	21	37,5	M6x18
K0488.5CS	1	1	45	40	42	-	40	43	138	147	73	33	52	M8x35
K0488.5CT	1.25	1.25	45	40	42	-	40	43	138	147	73	33	52	M8x35
K0488.5D2	1.5	1.5	60	56	57	-	56	60	188	200	100	48	69	M10x50

