

Wing grips with external thread - inch

Item description/product images

INCH
Parts



Description

Material:

Black thermoplastic.

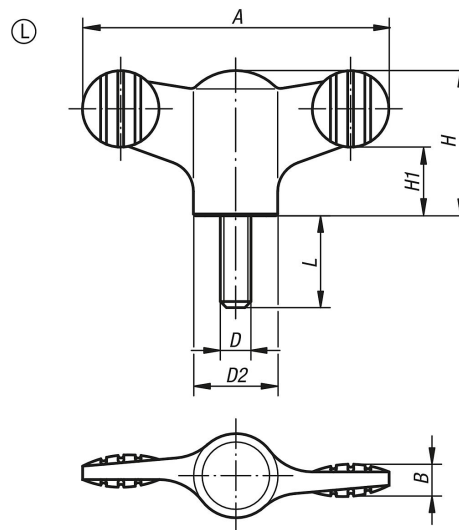
Screw grade 5.8 steel or 1.4305 (AISI 303 equivalent) stainless steel.

Version:

Steel trivalent blue passivated, stainless steel bright.

Wing grips with external thread - inch

Drawings



Order No.	Component material	color Cap	A	B	D	D2	H	H1	L
K0274.9AEX10	steel	black gray RAL 7021	38	4,5	8-32	12	18	8,5	10
K0274.9AEX20	steel	black gray RAL 7021	38	4,5	8-32	12	18	8,5	20
K0274.9AE5X10	steel	light gray RAL 7035	38	4,5	8-32	12	18	8,5	10
K0274.9AE5X20	steel	light gray RAL 7035	38	4,5	8-32	12	18	8,5	20
K0274.9AE6X10	steel	traffic red RAL 3020	38	4,5	8-32	12	18	8,5	10
K0274.9AE6X20	steel	traffic red RAL 3020	38	4,5	8-32	12	18	8,5	20
K0274.9AE7X10	steel	colza yellow RAL 1021	38	4,5	8-32	12	18	8,5	10
K0274.9AE7X20	steel	colza yellow RAL 1021	38	4,5	8-32	12	18	8,5	20
K0274.9A1X10	steel	black gray RAL 7021	38	4,5	10-32	12	18	8,5	10
K0274.9A1X20	steel	black gray RAL 7021	38	4,5	10-32	12	18	8,5	20
K0274.9A15X10	steel	light gray RAL 7035	38	4,5	10-32	12	18	8,5	10
K0274.9A15X20	steel	light gray RAL 7035	38	4,5	10-32	12	18	8,5	20
K0274.9A16X10	steel	traffic red RAL 3020	38	4,5	10-32	12	18	8,5	10
K0274.9A16X20	steel	traffic red RAL 3020	38	4,5	10-32	12	18	8,5	20
K0274.9A17X10	steel	colza yellow RAL 1021	38	4,5	10-32	12	18	8,5	10
K0274.9A17X20	steel	colza yellow RAL 1021	38	4,5	10-32	12	18	8,5	20
K0274.9A2X20	steel	black gray RAL 7021	38	4,5	1/4-20	12	18	8,5	20
K0274.9A2X30	steel	black gray RAL 7021	38	4,5	1/4-20	12	18	8,5	30
K0274.9A2X40	steel	black gray RAL 7021	38	4,5	1/4-20	12	18	8,5	40
K0274.9A25X20	steel	light gray RAL 7035	38	4,5	1/4-20	12	18	8,5	20
K0274.9A25X30	steel	light gray RAL 7035	38	4,5	1/4-20	12	18	8,5	30
K0274.9A25X40	steel	light gray RAL 7035	38	4,5	1/4-20	12	18	8,5	40
K0274.9A26X20	steel	traffic red RAL 3020	38	4,5	1/4-20	12	18	8,5	20
K0274.9A26X30	steel	traffic red RAL 3020	38	4,5	1/4-20	12	18	8,5	30
K0274.9A26X40	steel	traffic red RAL 3020	38	4,5	1/4-20	12	18	8,5	40
K0274.9A27X20	steel	colza yellow RAL 1021	38	4,5	1/4-20	12	18	8,5	20
K0274.9A27X30	steel	colza yellow RAL 1021	38	4,5	1/4-20	12	18	8,5	30
K0274.9A27X40	steel	colza yellow RAL 1021	38	4,5	1/4-20	12	18	8,5	40
K0274.1A1X10	steel	black gray RAL 7021	50	5	10-32	14	24	11,5	10
K0274.1A1X20	steel	black gray RAL 7021	50	5	10-32	14	24	11,5	20
K0274.1A15X10	steel	light gray RAL 7035	50	5	10-32	14	24	11,5	10
K0274.1A15X20	steel	light gray RAL 7035	50	5	10-32	14	24	11,5	20
K0274.1A16X10	steel	traffic red RAL 3020	50	5	10-32	14	24	11,5	10
K0274.1A16X20	steel	traffic red RAL 3020	50	5	10-32	14	24	11,5	20
K0274.1A17X10	steel	colza yellow RAL 1021	50	5	10-32	14	24	11,5	10
K0274.1A17X20	steel	colza yellow RAL 1021	50	5	10-32	14	24	11,5	20
K0274.1A2X20	steel	black gray RAL 7021	50	5	1/4-20	14	24	11,5	20
K0274.1A2X30	steel	black gray RAL 7021	50	5	1/4-20	14	24	11,5	30
K0274.1A2X40	steel	black gray RAL 7021	50	5	1/4-20	14	24	11,5	40

Wing grips with external thread - inch

Order No.	Component material	color Cap	A	B	D	D2	H	H1	L
K0274.1A25X20	steel	light gray RAL 7035	50	5	1/4-20	14	24	11,5	20
K0274.1A25X40	steel	light gray RAL 7035	50	5	1/4-20	14	24	11,5	40
K0274.1A25X30	steel	light gray RAL 7035	50	5	1/4-20	14	24	11,5	30
K0274.1A26X20	steel	traffic red RAL 3020	50	5	1/4-20	14	24	11,5	20
K0274.1A26X30	steel	traffic red RAL 3020	50	5	1/4-20	14	24	11,5	30
K0274.1A26X40	steel	traffic red RAL 3020	50	5	1/4-20	14	24	11,5	40
K0274.1A27X20	steel	colza yellow RAL 1021	50	5	1/4-20	14	24	11,5	20
K0274.1A27X40	steel	colza yellow RAL 1021	50	5	1/4-20	14	24	11,5	40
K0274.1A27X30	steel	colza yellow RAL 1021	50	5	1/4-20	14	24	11,5	30
K0274.1A3X20	steel	black gray RAL 7021	50	5	5/16-18	14	24	11,5	20
K0274.1A3X40	steel	black gray RAL 7021	50	5	5/16-18	14	24	11,5	40
K0274.1A35X20	steel	light gray RAL 7035	50	5	5/16-18	14	24	11,5	20
K0274.1A35X40	steel	light gray RAL 7035	50	5	5/16-18	14	24	11,5	40
K0274.1A36X20	steel	traffic red RAL 3020	50	5	5/16-18	14	24	11,5	20
K0274.1A36X40	steel	traffic red RAL 3020	50	5	5/16-18	14	24	11,5	40
K0274.1A37X20	steel	colza yellow RAL 1021	50	5	5/16-18	14	24	11,5	20
K0274.1A37X40	steel	colza yellow RAL 1021	50	5	5/16-18	14	24	11,5	40
K0274.2A3X20	steel	black gray RAL 7021	75	7	5/16-18	21	35,6	16,5	20
K0274.2A3X40	steel	black gray RAL 7021	75	7	5/16-18	21	35,6	16,5	40
K0274.2A35X20	steel	light gray RAL 7035	75	7	5/16-18	21	35,6	16,5	20
K0274.2A35X40	steel	light gray RAL 7035	75	7	5/16-18	21	35,6	16,5	40
K0274.2A36X20	steel	traffic red RAL 3020	75	7	5/16-18	21	35,6	16,5	20
K0274.2A36X40	steel	traffic red RAL 3020	75	7	5/16-18	21	35,6	16,5	40
K0274.2A37X20	steel	colza yellow RAL 1021	75	7	5/16-18	21	35,6	16,5	20
K0274.2A37X40	steel	colza yellow RAL 1021	75	7	5/16-18	21	35,6	16,5	40
K0274.2A4X20	steel	black gray RAL 7021	75	7	3/8-16	21	35,6	16,5	20
K0274.2A4X40	steel	black gray RAL 7021	75	7	3/8-16	21	35,6	16,5	40
K0274.2A45X20	steel	light gray RAL 7035	75	7	3/8-16	21	35,6	16,5	20
K0274.2A45X40	steel	light gray RAL 7035	75	7	3/8-16	21	35,6	16,5	40
K0274.2A46X20	steel	traffic red RAL 3020	75	7	3/8-16	21	35,6	16,5	20
K0274.2A46X40	steel	traffic red RAL 3020	75	7	3/8-16	21	35,6	16,5	40
K0274.2A47X20	steel	colza yellow RAL 1021	75	7	3/8-16	21	35,6	16,5	20
K0274.2A47X40	steel	colza yellow RAL 1021	75	7	3/8-16	21	35,6	16,5	40
K0274.09AEX10	stainless steel	black gray RAL 7021	38	4,5	8-32	12	18	8,5	10
K0274.09AEX20	stainless steel	black gray RAL 7021	38	4,5	8-32	12	18	8,5	20
K0274.09AE5X10	stainless steel	light gray RAL 7035	38	4,5	8-32	12	18	8,5	10
K0274.09AE5X20	stainless steel	light gray RAL 7035	38	4,5	8-32	12	18	8,5	20
K0274.09AE6X10	stainless steel	traffic red RAL 3020	38	4,5	8-32	12	18	8,5	10
K0274.09AE6X20	stainless steel	traffic red RAL 3020	38	4,5	8-32	12	18	8,5	20
K0274.09AE7X10	stainless steel	colza yellow RAL 1021	38	4,5	8-32	12	18	8,5	10
K0274.09AE7X20	stainless steel	colza yellow RAL 1021	38	4,5	8-32	12	18	8,5	20
K0274.09A1X10	stainless steel	black gray RAL 7021	38	4,5	10-32	12	18	8,5	10
K0274.09A1X20	stainless steel	black gray RAL 7021	38	4,5	10-32	12	18	8,5	20
K0274.09A15X10	stainless steel	light gray RAL 7035	38	4,5	10-32	12	18	8,5	10
K0274.09A15X20	stainless steel	light gray RAL 7035	38	4,5	10-32	12	18	8,5	20
K0274.09A16X10	stainless steel	traffic red RAL 3020	38	4,5	10-32	12	18	8,5	10
K0274.09A16X20	stainless steel	traffic red RAL 3020	38	4,5	10-32	12	18	8,5	20
K0274.09A17X10	stainless steel	colza yellow RAL 1021	38	4,5	10-32	12	18	8,5	10
K0274.09A17X20	stainless steel	colza yellow RAL 1021	38	4,5	10-32	12	18	8,5	20
K0274.09A2X20	stainless steel	black gray RAL 7021	38	4,5	1/4-20	12	18	8,5	20
K0274.09A2X30	stainless steel	black gray RAL 7021	38	4,5	1/4-20	12	18	8,5	30
K0274.09A2X40	stainless steel	black gray RAL 7021	38	4,5	1/4-20	12	18	8,5	40
K0274.09A25X20	stainless steel	light gray RAL 7035	38	4,5	1/4-20	12	18	8,5	20
K0274.09A25X30	stainless steel	light gray RAL 7035	38	4,5	1/4-20	12	18	8,5	30
K0274.09A25X40	stainless steel	light gray RAL 7035	38	4,5	1/4-20	12	18	8,5	40
K0274.09A26X20	stainless steel	traffic red RAL 3020	38	4,5	1/4-20	12	18	8,5	20
K0274.09A26X30	stainless steel	traffic red RAL 3020	38	4,5	1/4-20	12	18	8,5	30
K0274.09A26X40	stainless steel	traffic red RAL 3020	38	4,5	1/4-20	12	18	8,5	40
K0274.09A27X20	stainless steel	colza yellow RAL 1021	38	4,5	1/4-20	12	18	8,5	20
K0274.09A27X30	stainless steel	colza yellow RAL 1021	38	4,5	1/4-20	12	18	8,5	30
K0274.09A27X40	stainless steel	colza yellow RAL 1021	38	4,5	1/4-20	12	18	8,5	40
K0274.01A1X10	stainless steel	black gray RAL 7021	50	5	10-32	14	24	11,5	10
K0274.01A1X20	stainless steel	black gray RAL 7021	50	5	10-32	14	24	11,5	20

Wing grips with external thread - inch

Order No.	Component material	color Cap	A	B	D	D2	H	H1	L
K0274.01A15X10	stainless steel	light gray RAL 7035	50	5	10-32	14	24	11,5	10
K0274.01A15X20	stainless steel	light gray RAL 7035	50	5	10-32	14	24	11,5	20
K0274.01A16X10	stainless steel	traffic red RAL 3020	50	5	10-32	14	24	11,5	10
K0274.01A16X20	stainless steel	traffic red RAL 3020	50	5	10-32	14	24	11,5	20
K0274.01A17X10	stainless steel	colza yellow RAL 1021	50	5	10-32	14	24	11,5	10
K0274.01A17X20	stainless steel	colza yellow RAL 1021	50	5	10-32	14	24	11,5	20
K0274.01A2X20	stainless steel	black gray RAL 7021	50	5	1/4-20	14	24	11,5	20
K0274.01A2X30	stainless steel	black gray RAL 7021	50	5	1/4-20	14	24	11,5	30
K0274.01A2X40	stainless steel	black gray RAL 7021	50	5	1/4-20	14	24	11,5	40
K0274.01A25X20	stainless steel	light gray RAL 7035	50	5	1/4-20	14	24	11,5	20
K0274.01A25X30	stainless steel	light gray RAL 7035	50	5	1/4-20	14	24	11,5	30
K0274.01A25X40	stainless steel	light gray RAL 7035	50	5	1/4-20	14	24	11,5	40
K0274.01A26X20	stainless steel	traffic red RAL 3020	50	5	1/4-20	14	24	11,5	20
K0274.01A26X40	stainless steel	traffic red RAL 3020	50	5	1/4-20	14	24	11,5	40
K0274.01A26X30	stainless steel	traffic red RAL 3020	50	5	1/4-20	14	24	11,5	30
K0274.01A27X20	stainless steel	colza yellow RAL 1021	50	5	1/4-20	14	24	11,5	20
K0274.01A27X40	stainless steel	colza yellow RAL 1021	50	5	1/4-20	14	24	11,5	40
K0274.01A27X30	stainless steel	colza yellow RAL 1021	50	5	1/4-20	14	24	11,5	30
K0274.01A3X20	stainless steel	black gray RAL 7021	50	5	5/16-18	14	24	11,5	20
K0274.01A3X40	stainless steel	black gray RAL 7021	50	5	5/16-18	14	24	11,5	40
K0274.01A35X20	stainless steel	light gray RAL 7035	50	5	5/16-18	14	24	11,5	20
K0274.01A35X40	stainless steel	light gray RAL 7035	50	5	5/16-18	14	24	11,5	40
K0274.01A36X20	stainless steel	traffic red RAL 3020	50	5	5/16-18	14	24	11,5	20
K0274.01A36X40	stainless steel	traffic red RAL 3020	50	5	5/16-18	14	24	11,5	40
K0274.01A37X20	stainless steel	colza yellow RAL 1021	50	5	5/16-18	14	24	11,5	20
K0274.01A37X40	stainless steel	colza yellow RAL 1021	50	5	5/16-18	14	24	11,5	40
K0274.02A3X20	stainless steel	black gray RAL 7021	75	7	5/16-18	21	35,6	16,5	20
K0274.02A3X40	stainless steel	black gray RAL 7021	75	7	5/16-18	21	35,6	16,5	40
K0274.02A35X20	stainless steel	light gray RAL 7035	75	7	5/16-18	21	35,6	16,5	20
K0274.02A35X40	stainless steel	light gray RAL 7035	75	7	5/16-18	21	35,6	16,5	40
K0274.02A36X20	stainless steel	traffic red RAL 3020	75	7	5/16-18	21	35,6	16,5	20
K0274.02A36X40	stainless steel	traffic red RAL 3020	75	7	5/16-18	21	35,6	16,5	40
K0274.02A37X20	stainless steel	colza yellow RAL 1021	75	7	5/16-18	21	35,6	16,5	20
K0274.02A37X40	stainless steel	colza yellow RAL 1021	75	7	5/16-18	21	35,6	16,5	40
K0274.02A4X20	stainless steel	black gray RAL 7021	75	7	3/8-16	21	35,6	16,5	20
K0274.02A4X40	stainless steel	black gray RAL 7021	75	7	3/8-16	21	35,6	16,5	40
K0274.02A45X20	stainless steel	light gray RAL 7035	75	7	3/8-16	21	35,6	16,5	20
K0274.02A45X40	stainless steel	light gray RAL 7035	75	7	3/8-16	21	35,6	16,5	40
K0274.02A46X20	stainless steel	traffic red RAL 3020	75	7	3/8-16	21	35,6	16,5	20
K0274.02A46X40	stainless steel	traffic red RAL 3020	75	7	3/8-16	21	35,6	16,5	40
K0274.02A47X20	stainless steel	colza yellow RAL 1021	75	7	3/8-16	21	35,6	16,5	20
K0274.02A47X40	stainless steel	colza yellow RAL 1021	75	7	3/8-16	21	35,6	16,5	40