

Disc handwheels without grip, stainless steel bushing, style E, with reamed hole - inch

Item description/product images

INCH  
Parts



Description

Material:

Black thermoset PF 31.

Hub bright stainless steel 1.4305 (AISI 303 equivalent).

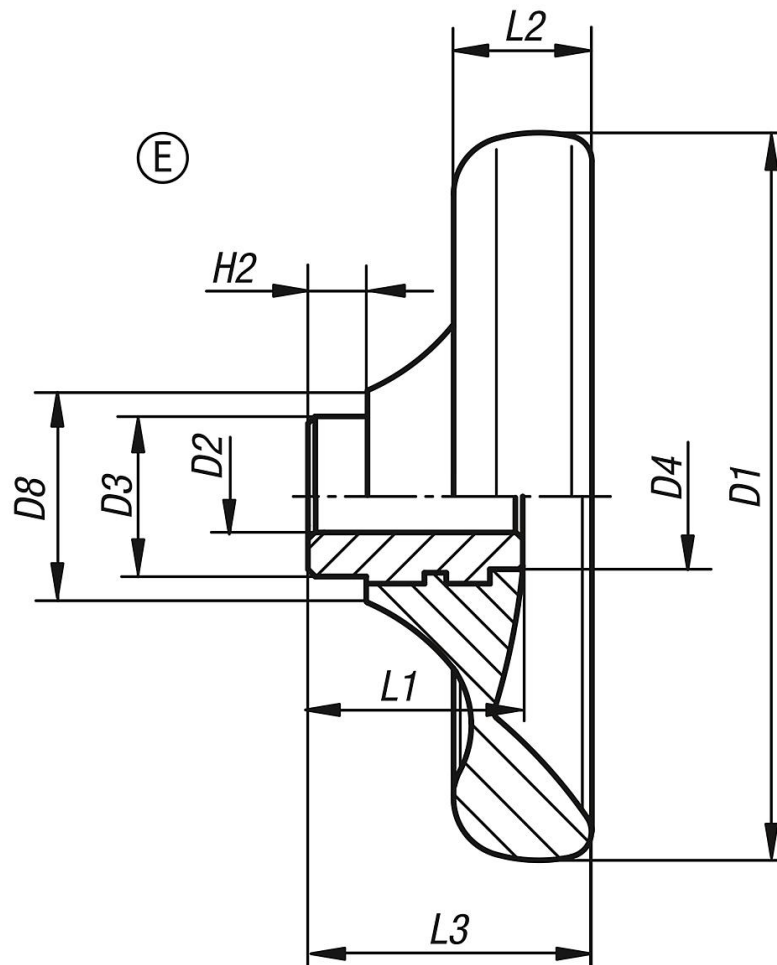
Version:

High-gloss polished.

On request:

Other reamed hole sizes.

Drawings



**Disc handwheels without grip, stainless steel bushing, style E, with reamed hole - inch**

Item No.	style	Size	D1	D2	D3	D4	D8	H2	L1	L2	L3
<b>K0165.3100XCM</b>	E	1	100	0,25	22	20	29	8	29,5	19	39
<b>K0165.3125XC0</b>	E	2	125	0,375	26	21	34	8	34	24	46
<b>K0165.3140XCP</b>	E	3	140	0,5	30	25	39	8	38,5	27	52
<b>K0165.3160XCQ</b>	E	4	160	0,625	33	30	43	8	41,3	30,1	57
<b>K0165.3160XCR</b>	E	4	160	0,75	33	30	43	8	41,3	30,1	57