

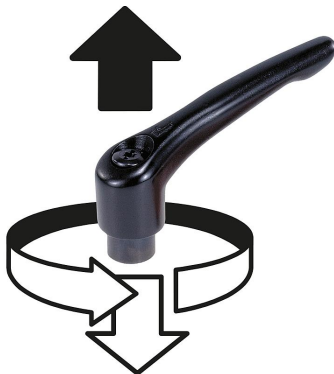
Adjustable Handles external thread, high-gloss chromed - inch

Item description/product images

INCH
Parts



lift to
disengage



Description

Material:

Handle die-cast zinc DIN EN 12844.

Steel parts grade 5.8.

Version:

Handle high-gloss chromed.

Steel parts black oxidized.

On request:

Other threads, screw lengths, colors and special versions.

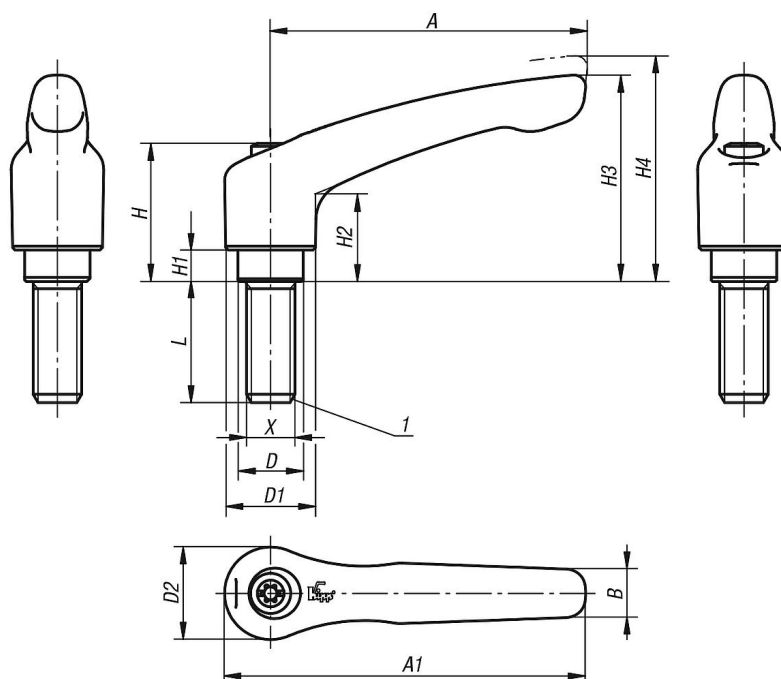
Dimension "H1" available in other lengths at extra charge.

Drawing reference:

1) flat point DIN EN ISO 4753

Adjustable Handles external thread, high-gloss chromed - inch

Drawings



Order No.	Main color	Surface finish body	Size	X	D	D1	D2	H	H1	H2	H3	H4	A	A1	B	No. of teeth	L
K0122.0AE6X10	silver	high-gloss chromed	0	8-32	10	13	14	24,5	4	14,5	30	33	30	37	7	16	10
K0122.0AE6X15	silver	high-gloss chromed	0	8-32	10	13	14	24,5	4	14,5	30	33	30	37	7	16	15
K0122.0AE6X20	silver	high-gloss chromed	0	8-32	10	13	14	24,5	4	14,5	30	33	30	37	7	16	20
K0122.0AE6X25	silver	high-gloss chromed	0	8-32	10	13	14	24,5	4	14,5	30	33	30	37	7	16	25
K0122.0AE6X30	silver	high-gloss chromed	0	8-32	10	13	14	24,5	4	14,5	30	33	30	37	7	16	30
K0122.0AE6X35	silver	high-gloss chromed	0	8-32	10	13	14	24,5	4	14,5	30	33	30	37	7	16	35
K0122.0AE6X40	silver	high-gloss chromed	0	8-32	10	13	14	24,5	4	14,5	30	33	30	37	7	16	40
K0122.0AE6X45	silver	high-gloss chromed	0	8-32	10	13	14	24,5	4	14,5	30	33	30	37	7	16	45
K0122.0AE6X50	silver	high-gloss chromed	0	8-32	10	13	14	24,5	4	14,5	30	33	30	37	7	16	50
K0122.0A06X10	silver	high-gloss chromed	0	10-24	10	13	14	24,5	4	14,5	30	33	30	37	7	16	10
K0122.0A06X15	silver	high-gloss chromed	0	10-24	10	13	14	24,5	4	14,5	30	33	30	37	7	16	15
K0122.0A06X20	silver	high-gloss chromed	0	10-24	10	13	14	24,5	4	14,5	30	33	30	37	7	16	20
K0122.0A06X25	silver	high-gloss chromed	0	10-24	10	13	14	24,5	4	14,5	30	33	30	37	7	16	25
K0122.0A06X30	silver	high-gloss chromed	0	10-24	10	13	14	24,5	4	14,5	30	33	30	37	7	16	30
K0122.0A06X35	silver	high-gloss chromed	0	10-24	10	13	14	24,5	4	14,5	30	33	30	37	7	16	35
K0122.0A06X40	silver	high-gloss chromed	0	10-24	10	13	14	24,5	4	14,5	30	33	30	37	7	16	40
K0122.0A06X45	silver	high-gloss chromed	0	10-24	10	13	14	24,5	4	14,5	30	33	30	37	7	16	45
K0122.0A06X50	silver	high-gloss chromed	0	10-24	10	13	14	24,5	4	14,5	30	33	30	37	7	16	50
K0122.0A16X10	silver	high-gloss chromed	0	10-32	10	13	14	24,5	4	14,5	30	33	30	37	7	16	10
K0122.0A16X15	silver	high-gloss chromed	0	10-32	10	13	14	24,5	4	14,5	30	33	30	37	7	16	15
K0122.0A16X20	silver	high-gloss chromed	0	10-32	10	13	14	24,5	4	14,5	30	33	30	37	7	16	20
K0122.0A16X25	silver	high-gloss chromed	0	10-32	10	13	14	24,5	4	14,5	30	33	30	37	7	16	25
K0122.0A16X30	silver	high-gloss chromed	0	10-32	10	13	14	24,5	4	14,5	30	33	30	37	7	16	30
K0122.0A16X35	silver	high-gloss chromed	0	10-32	10	13	14	24,5	4	14,5	30	33	30	37	7	16	35
K0122.0A16X40	silver	high-gloss chromed	0	10-32	10	13	14	24,5	4	14,5	30	33	30	37	7	16	40
K0122.0A16X45	silver	high-gloss chromed	0	10-32	10	13	14	24,5	4	14,5	30	33	30	37	7	16	45
K0122.0A16X50	silver	high-gloss chromed	0	10-32	10	13	14	24,5	4	14,5	30	33	30	37	7	16	50
K0122.0A26X10	silver	high-gloss chromed	0	1/4-20	10	13	14	24,5	4	14,5	30	33	30	37	7	16	10
K0122.0A26X15	silver	high-gloss chromed	0	1/4-20	10	13	14	24,5	4	14,5	30	33	30	37	7	16	15
K0122.0A26X20	silver	high-gloss chromed	0	1/4-20	10	13	14	24,5	4	14,5	30	33	30	37	7	16	20
K0122.0A26X25	silver	high-gloss chromed	0	1/4-20	10	13	14	24,5	4	14,5	30	33	30	37	7	16	25
K0122.0A26X30	silver	high-gloss chromed	0	1/4-20	10	13	14	24,5	4	14,5	30	33	30	37	7	16	30
K0122.0A26X35	silver	high-gloss chromed	0	1/4-20	10	13	14	24,5	4	14,5	30	33	30	37	7	16	35
K0122.0A26X40	silver	high-gloss chromed	0	1/4-20	10	13	14	24,5	4	14,5	30	33	30	37	7	16	40

Adjustable Handles external thread, high-gloss chromed - inch

Order No.	Main color	Surface finish body	Size	X	D	D1	D2	H	H1	H2	H3	H4	A	A1	B	No. of teeth	L
K0122.0A26X45	silver	high-gloss chromed	0	1/4-20	10	13	14	24,5	4	14,5	30	33	30	37	7	16	45
K0122.0A26X50	silver	high-gloss chromed	0	1/4-20	10	13	14	24,5	4	14,5	30	33	30	37	7	16	50
K0122.1A06X10	silver	high-gloss chromed	1	10-24	10	13	14	24,5	4	14,5	31	34	40	47	7	16	10
K0122.1A06X15	silver	high-gloss chromed	1	10-24	10	13	14	24,5	4	14,5	31	34	40	47	7	16	15
K0122.1A06X20	silver	high-gloss chromed	1	10-24	10	13	14	24,5	4	14,5	31	34	40	47	7	16	20
K0122.1A06X25	silver	high-gloss chromed	1	10-24	10	13	14	24,5	4	14,5	31	34	40	47	7	16	25
K0122.1A06X30	silver	high-gloss chromed	1	10-24	10	13	14	24,5	4	14,5	31	34	40	47	7	16	30
K0122.1A06X35	silver	high-gloss chromed	1	10-24	10	13	14	24,5	4	14,5	31	34	40	47	7	16	35
K0122.1A06X40	silver	high-gloss chromed	1	10-24	10	13	14	24,5	4	14,5	31	34	40	47	7	16	40
K0122.1A06X45	silver	high-gloss chromed	1	10-24	10	13	14	24,5	4	14,5	31	34	40	47	7	16	45
K0122.1A06X50	silver	high-gloss chromed	1	10-24	10	13	14	24,5	4	14,5	31	34	40	47	7	16	50
K0122.1A16X10	silver	high-gloss chromed	1	10-32	10	13	14	24,5	4	14,5	31	34	40	47	7	16	10
K0122.1A16X15	silver	high-gloss chromed	1	10-32	10	13	14	24,5	4	14,5	31	34	40	47	7	16	15
K0122.1A16X20	silver	high-gloss chromed	1	10-32	10	13	14	24,5	4	14,5	31	34	40	47	7	16	20
K0122.1A16X25	silver	high-gloss chromed	1	10-32	10	13	14	24,5	4	14,5	31	34	40	47	7	16	25
K0122.1A16X30	silver	high-gloss chromed	1	10-32	10	13	14	24,5	4	14,5	31	34	40	47	7	16	30
K0122.1A16X35	silver	high-gloss chromed	1	10-32	10	13	14	24,5	4	14,5	31	34	40	47	7	16	35
K0122.1A16X40	silver	high-gloss chromed	1	10-32	10	13	14	24,5	4	14,5	31	34	40	47	7	16	40
K0122.1A16X45	silver	high-gloss chromed	1	10-32	10	13	14	24,5	4	14,5	31	34	40	47	7	16	45
K0122.1A16X50	silver	high-gloss chromed	1	10-32	10	13	14	24,5	4	14,5	31	34	40	47	7	16	50
K0122.1A26X10	silver	high-gloss chromed	1	1/4-20	10	13	14	24,5	4	14,5	31	34	40	47	7	16	10
K0122.1A26X15	silver	high-gloss chromed	1	1/4-20	10	13	14	24,5	4	14,5	31	34	40	47	7	16	15
K0122.1A26X20	silver	high-gloss chromed	1	1/4-20	10	13	14	24,5	4	14,5	31	34	40	47	7	16	20
K0122.1A26X25	silver	high-gloss chromed	1	1/4-20	10	13	14	24,5	4	14,5	31	34	40	47	7	16	25
K0122.1A26X30	silver	high-gloss chromed	1	1/4-20	10	13	14	24,5	4	14,5	31	34	40	47	7	16	30
K0122.1A26X35	silver	high-gloss chromed	1	1/4-20	10	13	14	24,5	4	14,5	31	34	40	47	7	16	35
K0122.1A26X40	silver	high-gloss chromed	1	1/4-20	10	13	14	24,5	4	14,5	31	34	40	47	7	16	40
K0122.1A26X45	silver	high-gloss chromed	1	1/4-20	10	13	14	24,5	4	14,5	31	34	40	47	7	16	45
K0122.1A26X50	silver	high-gloss chromed	1	1/4-20	10	13	14	24,5	4	14,5	31	34	40	47	7	16	50
K0122.2A26X15	silver	high-gloss chromed	2	1/4-20	13,5	18,5	19	28,5	6,5	17,5	42,5	45,5	65	74,5	9,5	20	15
K0122.2A26X20	silver	high-gloss chromed	2	1/4-20	13,5	18,5	19	28,5	6,5	17,5	42,5	45,5	65	74,5	9,5	20	20
K0122.2A26X25	silver	high-gloss chromed	2	1/4-20	13,5	18,5	19	28,5	6,5	17,5	42,5	45,5	65	74,5	9,5	20	25
K0122.2A26X30	silver	high-gloss chromed	2	1/4-20	13,5	18,5	19	28,5	6,5	17,5	42,5	45,5	65	74,5	9,5	20	30
K0122.2A26X35	silver	high-gloss chromed	2	1/4-20	13,5	18,5	19	28,5	6,5	17,5	42,5	45,5	65	74,5	9,5	20	35
K0122.2A26X40	silver	high-gloss chromed	2	1/4-20	13,5	18,5	19	28,5	6,5	17,5	42,5	45,5	65	74,5	9,5	20	40
K0122.2A26X45	silver	high-gloss chromed	2	1/4-20	13,5	18,5	19	28,5	6,5	17,5	42,5	45,5	65	74,5	9,5	20	45
K0122.2A26X50	silver	high-gloss chromed	2	1/4-20	13,5	18,5	19	28,5	6,5	17,5	42,5	45,5	65	74,5	9,5	20	50
K0122.2A26X55	silver	high-gloss chromed	2	1/4-20	13,5	18,5	19	28,5	6,5	17,5	42,5	45,5	65	74,5	9,5	20	55
K0122.2A26X60	silver	high-gloss chromed	2	1/4-20	13,5	18,5	19	28,5	6,5	17,5	42,5	45,5	65	74,5	9,5	20	60
K0122.2A36X15	silver	high-gloss chromed	2	5/16-18	13,5	18,5	19	28,5	6,5	17,5	42,5	45,5	65	74,5	9,5	20	15
K0122.2A36X20	silver	high-gloss chromed	2	5/16-18	13,5	18,5	19	28,5	6,5	17,5	42,5	45,5	65	74,5	9,5	20	20
K0122.2A36X25	silver	high-gloss chromed	2	5/16-18	13,5	18,5	19	28,5	6,5	17,5	42,5	45,5	65	74,5	9,5	20	25
K0122.2A36X30	silver	high-gloss chromed	2	5/16-18	13,5	18,5	19	28,5	6,5	17,5	42,5	45,5	65	74,5	9,5	20	30
K0122.2A36X35	silver	high-gloss chromed	2	5/16-18	13,5	18,5	19	28,5	6,5	17,5	42,5	45,5	65	74,5	9,5	20	35
K0122.2A36X40	silver	high-gloss chromed	2	5/16-18	13,5	18,5	19	28,5	6,5	17,5	42,5	45,5	65	74,5	9,5	20	40
K0122.2A36X45	silver	high-gloss chromed	2	5/16-18	13,5	18,5	19	28,5	6,5	17,5	42,5	45,5	65	74,5	9,5	20	45
K0122.2A36X50	silver	high-gloss chromed	2	5/16-18	13,5	18,5	19	28,5	6,5	17,5	42,5	45,5	65	74,5	9,5	20	50
K0122.2A36X55	silver	high-gloss chromed	2	5/16-18	13,5	18,5	19	28,5	6,5	17,5	42,5	45,5	65	74,5	9,5	20	55
K0122.2A36X60	silver	high-gloss chromed	2	5/16-18	13,5	18,5	19	28,5	6,5	17,5	42,5	45,5	65	74,5	9,5	20	60
K0122.2A46X15	silver	high-gloss chromed	2	3/8-16	13,5	18,5	19	28,5	6,5	17,5	42,5	45,5	65	74,5	9,5	20	15
K0122.2A46X20	silver	high-gloss chromed	2	3/8-16	13,5	18,5	19	28,5	6,5	17,5	42,5	45,5	65	74,5	9,5	20	20
K0122.2A46X25	silver	high-gloss chromed	2	3/8-16	13,5	18,5	19	28,5	6,5	17,5	42,5	45,5	65	74,5	9,5	20	25
K0122.2A46X30	silver	high-gloss chromed	2	3/8-16	13,5	18,5	19	28,5	6,5	17,5	42,5	45,5	65	74,5	9,5	20	30
K0122.2A46X35	silver	high-gloss chromed	2	3/8-16	13,5	18,5	19	28,5	6,5	17,5	42,5	45,5	65	74,5	9,5	20	35
K0122.2A46X40	silver	high-gloss chromed	2	3/8-16	13,5	18,5	19	28,5	6,5	17,5	42,5	45,5	65	74,5	9,5	20	40
K0122.2A46X45	silver	high-gloss chromed	2	3/8-16	13,5	18,5	19	28,5	6,5	17,5	42,5	45,5	65	74,5	9,5	20	45
K0122.2A46X50	silver	high-gloss chromed	2	3/8-16	13,5	18,5	19	28,5	6,5	17,5	42,5	45,5	65	74,5	9,5	20	50
K0122.2A46X55	silver	high-gloss chromed	2	3/8-16	13,5	18,5	19	28,5	6,5	17,5	42,5	45,5	65	74,5	9,5	20	55
K0122.2A46X60	silver	high-gloss chromed	2	3/8-16	13,5	18,5	19	28,5	6,5	17,5	42,5	45,5	65	74,5	9,5	20	60
K0122.3A36X15	silver	high-gloss chromed	3	5/16-18	16	21	22	37	10	24	54,5	58,5	80	91	11	22	15
K0122.3A36X20	silver	high-gloss chromed	3	5/16-18	16	21	22	37	10	24	54,5	58,5	80	91	11	22	20
K0122.3A36X25	silver	high-gloss chromed	3	5/16-18	16	21	22	37	10	24	54,5	58,5	80	91	11	22	25
K0122.3A36X30	silver	high-gloss chromed	3	5/16-18	16	21	22	37	10	24	54,5	58,5	80	91	11	22	30

