

## Swivel thrust pads - inch

### Item description/product images



### Description

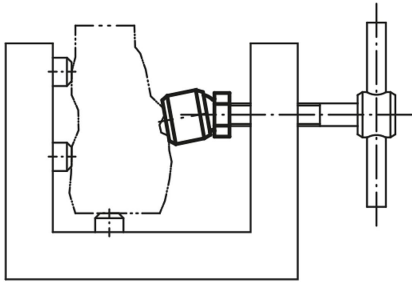
**Material:**

Ball element case-hardened steel.

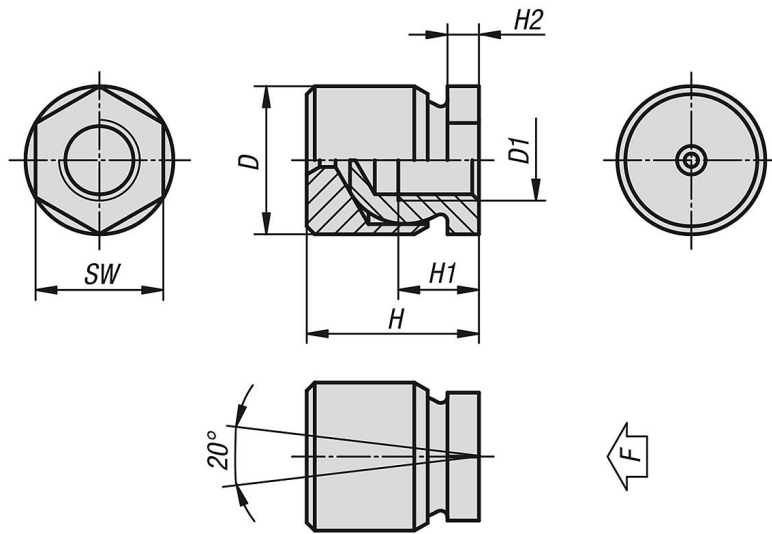
Thrust pad ETG 100 steel.

**Version:**

Black oxidized.



### Drawings



Item No.	D	D1	H	H1	H2	SW	Load rating max. kN
K0304.A1	13	10-32	16,5	6,5	4	10	1,62
K0304.A2	13	1/4-20	16,5	8,5	4	10	2,33
K0304.A3	16	5/16-18	21	9	4	13	4,15
K0304.A4	19	3/8-16	23	10	4	17	6,48
K0304.A5	22	1/2-13	25,5	12	4,7	19	8,32
K0304.A6	25	5/8-11	29,5	14	5	24	13,94
K0304.A7	32	3/4-10	36	18	8,5	30	21

