

Wing grips "Miniwing" with internal thread - inch

Item description/product images

INCH
Parts



Description

Material:

Thermoplastic.

Bushings brass, steel 5.8 or stainless steel 1.4305 (AISI 303 equivalent).

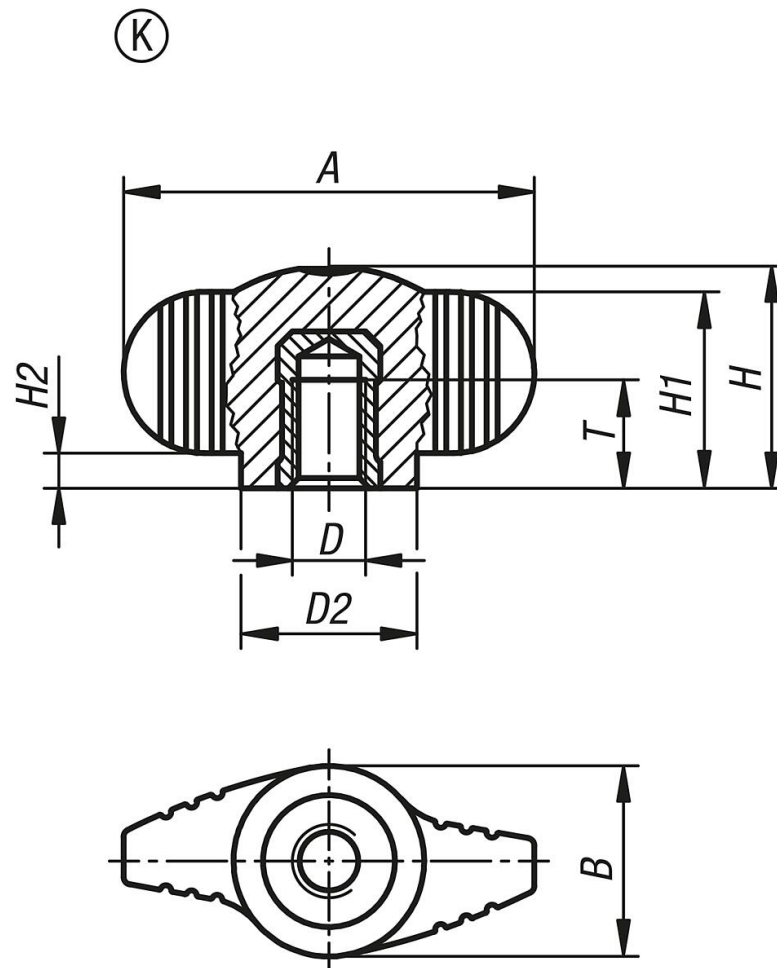
Version:

Grip black gray.

Steel trivalent blue passivated.

Stainless steel bright.

Drawings



Item No.	style	Component material	A	B	D	D2	H	H1	H2	T
K0274.0AE	K	brass	28	-	8-32	12	-	13,3	2,3	6
K0274.0A1	K	brass	28	-	10-32	12	-	13,3	2,3	7,5
K0274.0A2	K	brass	28	-	1/4-20	12	-	13,3	2,3	9
K0274.8A2	K	steel	40	16	1/4-20	14,6	21	19	4	12
K0274.8A3	K	steel	40	16	5/16-18	14,6	21	19	4	12
K0274.00AE	K	stainless steel	28	-	8-32	12	-	13,3	2,3	6

Wing grips "Miniwing" with internal thread - inch

Item No.	style	Component material	A	B	D	D2	H	H1	H2	T
K0274.00A1	K	stainless steel	28	-	10-32	12	-	13,3	2,3	7,5
K0274.00A2	K	stainless steel	28	-	1/4-20	12	-	13,3	2,3	9
K0274.08A2	K	stainless steel	40	16	1/4-20	14,6	21	19	4	12
K0274.08A3	K	stainless steel	40	16	5/16-18	14,6	21	19	4	12