

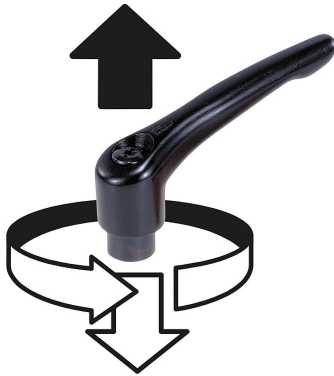
Adjustable handles, die-cast zinc with internal thread and protective cap, threaded insert black oxidized steel - inch

Item description/product images

INCH
Parts



lift to
disengage



Description

Material:

Handle die-cast zinc DIN EN 12844.

Steel parts grade 5.8.

Protective cap stainless steel 1.4305 (AISI 303 equivalent).

Version:

Handle powder-coated.

Steel parts black oxidized.

Caps bright stainless steel.

Note:

Standard colors are:

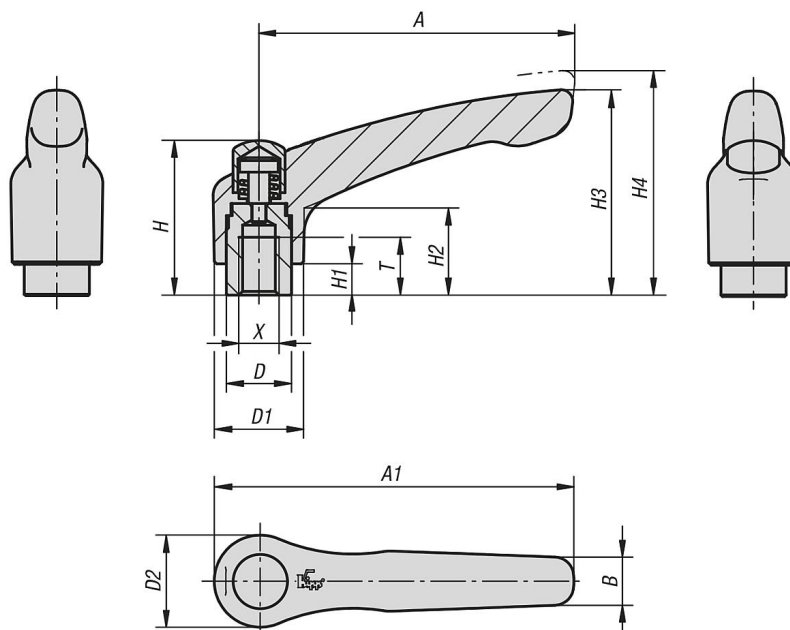
orange RAL 2004.

On request:

Other threads, colors and special versions.

Dimension "H1" available in other lengths at extra charge.

Drawings



Adjustable handles, die-cast zinc with internal thread and protective cap, threaded insert black oxidized steel - inch**Adjustable handles with protective cap, internal thread**

Order No.	Main color	Size	X	T	D	D1	D2	H	H1	H2	H3	H4	A	A1	B	No. of teeth
K0122.92A22	orange RAL 2004	2	1/4-20	12	13,5	18,5	19	32	6,5	17,5	42,5	45,5	65	74,5	9,5	20
K0122.92A32	orange RAL 2004	2	5/16-18	12	13,5	18,5	19	32	6,5	17,5	42,5	45,5	65	74,5	9,5	20
K0122.93A32	orange RAL 2004	3	5/16-18	14	16	21	22	41,5	10	24	54,5	58,5	80	91	11	22
K0122.93A42	orange RAL 2004	3	3/8-16	14	16	21	22	41,5	10	24	54,5	58,5	80	91	11	22