

## Adjustable handles 2K with internal thread, threaded insert black oxidized steel - inch

Item description/product images

INCH  
Parts



lift to  
disengage



### Description

#### Material:

Handle:

Hard component fiberglass reinforced plastic with die-cast zinc toothed ring.  
Soft component Thermoflex based on SEBS.

Steel parts: grade 5.8.

#### Version:

Steel parts black oxidized.

#### Note:

The hard and soft components are supplied in black gray RAL 7021 as standard.

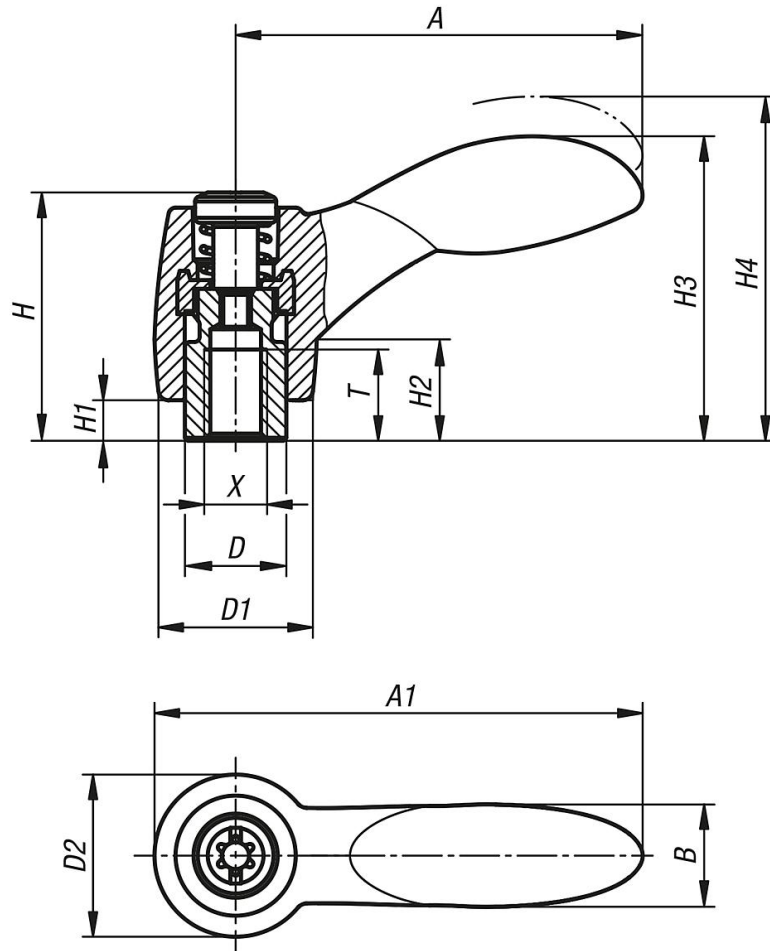
#### On request:

Other internal threads, color combinations and special versions.

Dimension "H1" available in other lengths on request at extra charge.

## Adjustable handles 2K with internal thread, threaded insert black oxidized steel - inch

Drawings



### Adjustable handles 2K with internal thread

Order No.	Size	X	T	D	D1	D2	H	H1	H2	H3	H4	A	A1	B	No. of teeth
K0125.1AE01	1	8-32	9	10	15	16	24,5	4	10	30	33,5	40,1	48,1	10,1	16
K0125.1A001	1	10-24	9	10	15	16	24,5	4	10	30	33,5	40,1	48,1	10,1	16
K0125.1A101	1	10-32	9	10	15	16	24,5	4	10	30	33,5	40,1	48,1	10,1	16
K0125.1A201	1	1/4-20	9	10	15	16	24,5	4	10	30	33,5	40,1	48,1	10,1	16
K0125.2A201	2	1/4-20	12	13,5	17,5	19	28,5	6,5	12,5	41,2	45,2	64,9	74,4	17,6	20
K0125.2A301	2	5/16-18	12	13,5	17,5	19	28,5	6,5	12,5	41,2	45,2	64,9	74,4	17,6	20
K0125.3A301	3	5/16-18	14	16	21	22	37	10	17	51,6	56,1	80,2	91,2	20,7	22
K0125.3A401	3	3/8-16	14	16	21	22	37	10	17	51,6	56,1	80,2	91,2	20,7	22