

Adjustable handles 2K with internal thread, threaded insert stainless steel - inch

Item description/product images

INCH
Parts



lift to
disengage



Description

Material:

Handle:

Hard component in glass-fibre-reinforced plastic with toothed wheel in die cast zinc.
Soft component: Thermoflex based on SEBS.

Steel parts:

Stainless steel, 1.4305 (AISI 303 equivalent).

Version:

Steel parts bright.

Note:

The hard and soft components are supplied in black gray RAL 7021 as standard.

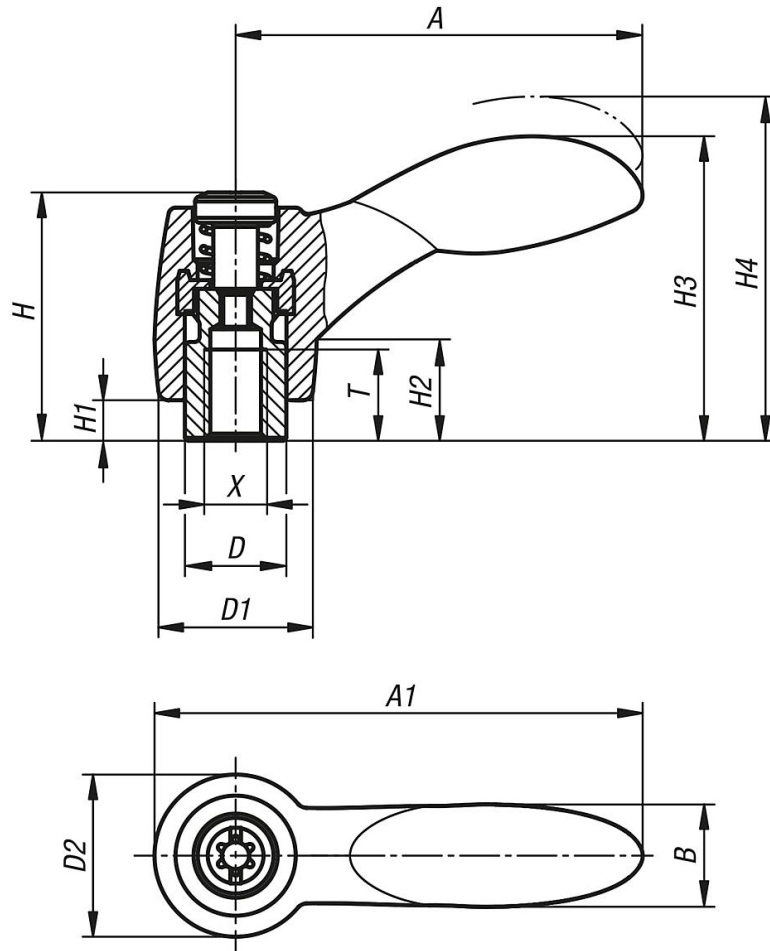
On request:

Other internal threads, color combinations and special versions.

Dimension "H1" available in other lengths on request at extra charge.

Adjustable handles 2K with internal thread, threaded insert stainless steel - inch

Drawings



Adjustable handles 2K with internal thread, metal parts stainless steel

Order No.	Size	X	T	D	D1	D2	H	H1	H2	H3	H4	A	A1	B	No. of teeth
K0126.1A001	1	10-24	9	10	15	16	24,5	4	10	30	33,5	40,1	48,1	10,1	16
K0126.1A101	1	10-32	9	10	15	16	24,5	4	10	30	33,5	40,1	48,1	10,1	16
K0126.1A201	1	1/4-20	9	10	15	16	24,5	4	10	30	33,5	40,1	48,1	10,1	16
K0126.2A201	2	1/4-20	12	13,5	17,5	19	28,5	6,5	12,5	41,2	45,2	64,9	74,4	17,6	20
K0126.2A301	2	5/16-18	12	13,5	17,5	19	28,5	6,5	12,5	41,2	45,2	64,9	74,4	17,6	20
K0126.3A301	3	5/16-18	14	16	21	22	37	10	17	51,6	56,1	80,2	91,2	20,7	22
K0126.3A401	3	3/8-16	14	16	21	22	37	10	17	51,6	56,1	80,2	91,2	20,7	22