

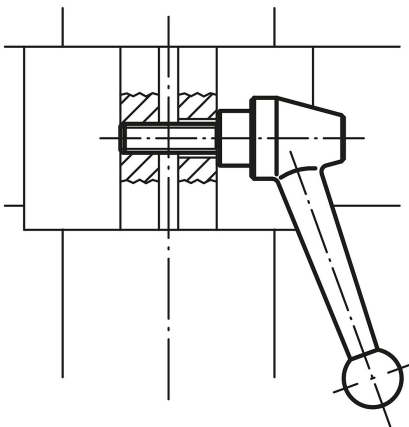
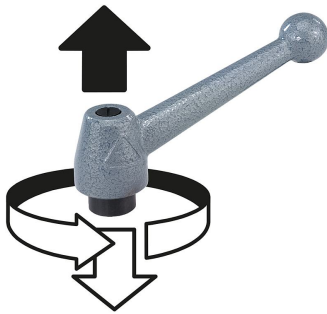
Adjustable handles, steel with external thread, threaded pin black oxidized steel - inch

Item description/product images

INCH
Parts



lift to
disengage



Description

Material:

Handle steel 1.0401.

All other steel parts grade 5.8.

Version:

Handle painted silver-gray hammer-tone.

Steel parts black oxidized.

Order information:

Threaded studs with dimension L=70 mm or greater are partially threaded, 60 mm.

Note:

For other dimensions see adjustable handles with internal thread.

On request:

Other threads, screw lengths and special versions.

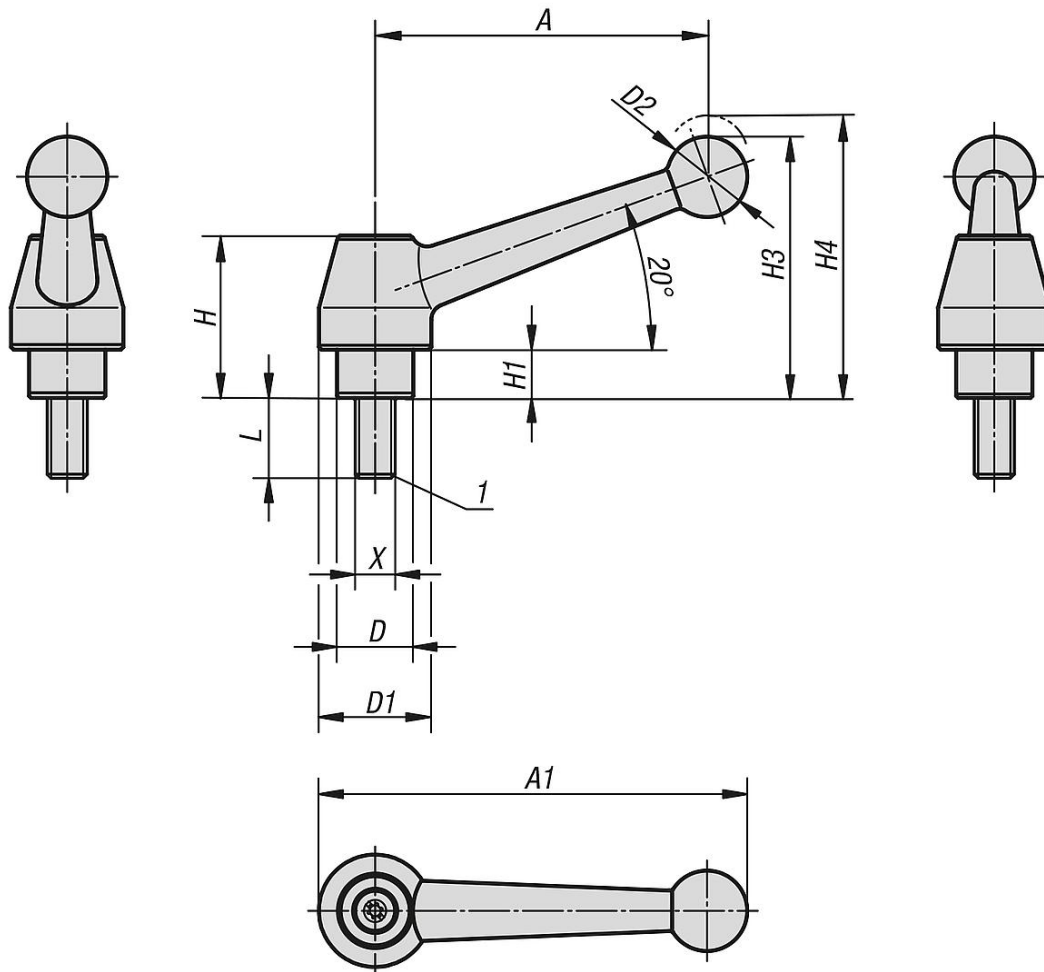
Dimension "H1" available in other lengths at extra charge.

Drawing reference:

1) flat point DIN EN ISO 4753

Adjustable handles, steel with external thread, threaded pin black oxidized steel - inch

Drawings



Adjustable Handles, Classic ball style, steel, with external thread

Item No.	Main material	Size	X	D	D1	D2	H	H1	H3	H4	A	A1	No. of teeth	L
K0120.1A4X20	steel	1	3/8-16	19	28	20	40,5	12	65	68,5	83	107	24	20
K0120.1A4X30	steel	1	3/8-16	19	28	20	40,5	12	65	68,5	83	107	24	30
K0120.1A4X40	steel	1	3/8-16	19	28	20	40,5	12	65	68,5	83	107	24	40
K0120.1A4X45	steel	1	3/8-16	19	28	20	40,5	12	65	68,5	83	107	24	45
K0120.1A4X50	steel	1	3/8-16	19	28	20	40,5	12	65	68,5	83	107	24	50
K0120.1A4X60	steel	1	3/8-16	19	28	20	40,5	12	65	68,5	83	107	24	60
K0120.1A5X20	steel	1	1/2-13	19	28	20	40,5	12	65	68,5	83	107	24	20
K0120.1A5X30	steel	1	1/2-13	19	28	20	40,5	12	65	68,5	83	107	24	30
K0120.1A5X40	steel	1	1/2-13	19	28	20	40,5	12	65	68,5	83	107	24	40
K0120.1A5X45	steel	1	1/2-13	19	28	20	40,5	12	65	68,5	83	107	24	45
K0120.1A5X50	steel	1	1/2-13	19	28	20	40,5	12	65	68,5	83	107	24	50
K0120.1A5X60	steel	1	1/2-13	19	28	20	40,5	12	65	68,5	83	107	24	60
K0120.2A5X25	steel	2	1/2-13	23	35	25	51,5	12	79,5	84	108	138,5	26	25
K0120.2A5X30	steel	2	1/2-13	23	35	25	51,5	12	79,5	84	108	138,5	26	30
K0120.2A5X40	steel	2	1/2-13	23	35	25	51,5	12	79,5	84	108	138,5	26	40
K0120.2A5X45	steel	2	1/2-13	23	35	25	51,5	12	79,5	84	108	138,5	26	45
K0120.2A5X50	steel	2	1/2-13	23	35	25	51,5	12	79,5	84	108	138,5	26	50
K0120.2A5X60	steel	2	1/2-13	23	35	25	51,5	12	79,5	84	108	138,5	26	60
K0120.2A6X25	steel	2	5/8-11	23	35	25	51,5	12	79,5	84	108	138,5	26	25
K0120.2A6X30	steel	2	5/8-11	23	35	25	51,5	12	79,5	84	108	138,5	26	30

Adjustable handles, steel with external thread, threaded pin black oxidized steel - inch

Item No.	Main material	Size	X	D	D1	D2	H	H1	H3	H4	A	A1	No. of teeth	L
K0120.2A6X40	steel	2	5/8-11	23	35	25	51,5	12	79,5	84	108	138,5	26	40
K0120.2A6X45	steel	2	5/8-11	23	35	25	51,5	12	79,5	84	108	138,5	26	45
K0120.2A6X50	steel	2	5/8-11	23	35	25	51,5	12	79,5	84	108	138,5	26	50
K0120.2A6X60	steel	2	5/8-11	23	35	25	51,5	12	79,5	84	108	138,5	26	60
K0120.3A6X30	steel	3	5/8-11	30	43	30	60	12	93	97,5	132	168	36	30
K0120.3A6X40	steel	3	5/8-11	30	43	30	60	12	93	97,5	132	168	36	40
K0120.3A6X50	steel	3	5/8-11	30	43	30	60	12	93	97,5	132	168	36	50
K0120.3A6X60	steel	3	5/8-11	30	43	30	60	12	93	97,5	132	168	36	60
K0120.3A7X30	steel	3	3/4-10	30	43	30	60	12	93	97,5	132	168	36	30
K0120.3A7X40	steel	3	3/4-10	30	43	30	60	12	93	97,5	132	168	36	40
K0120.3A7X50	steel	3	3/4-10	30	43	30	60	12	93	97,5	132	168	36	50
K0120.3A7X60	steel	3	3/4-10	30	43	30	60	12	93	97,5	132	168	36	60