

## Star grips, style K, with projecting steel tapped bushing - inch

Item description/product images

INCH  
Parts



### Description

**Material:**

Black thermoplastic.

Steel parts quality class 5.8.

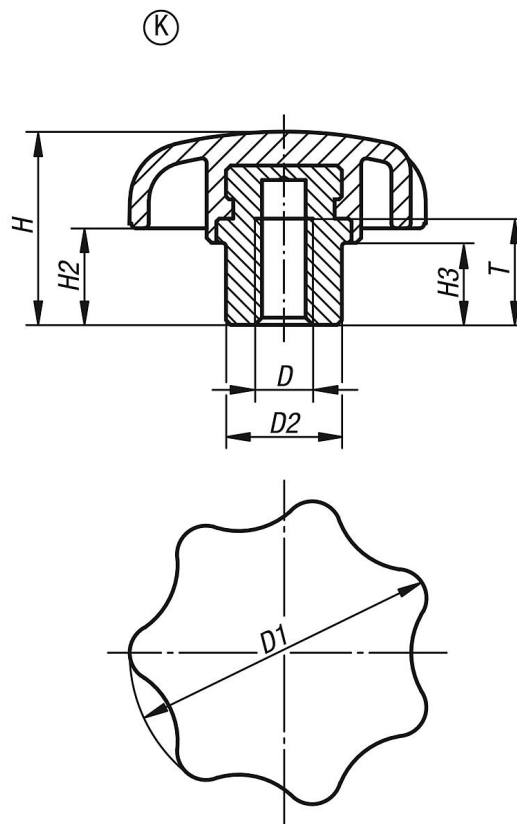
**Version:**

Steel parts blue passivated.

**Note:**

Star grips with projecting steel bushing and blind hole or internal thread are especially suited for cross pinning.

### Drawings



Item No.	style	Component material	D	D1	D2	H	H2	H3	T
K0153.2A1	K	steel	10-32	25	10	16	8	6	8,5
K0153.2A2	K	steel	1/4-20	32	13,5	21	11	9,5	12

**Star grips, style K, with projecting steel tapped bushing - inch**

Item No.	style	Component material	D	D1	D2	H	H2	H3	T
<b>K0153.2A21</b>	K	steel	1/4-20	40	13,5	25	13	10	14
<b>K0153.2A3</b>	K	steel	5/16-18	40	13,5	25	13	10	14
<b>K0153.2A31</b>	K	steel	5/16-18	50	19	32	17	12	18
<b>K0153.2A4</b>	K	steel	3/8-16	50	19	32	17	12	18
<b>K0153.2A41</b>	K	steel	3/8-16	63	19	40	21	15	22
<b>K0153.2A5</b>	K	steel	1/2-13	63	19	40	21	15	22
<b>K0153.2A6</b>	K	steel	5/8-11	63	23	40	21	15	22