

Adjustable handles, stainless steel with internal thread, threaded insert stainless steel - inch

Item description/product images



Description

Material:

Handle investment cast 1.4308 (AISI "316" equivalent).

Other steel parts 1.4305 (AISI 303 equivalent).

Version:

Handle electropolished or blasted.

Metal parts bright.

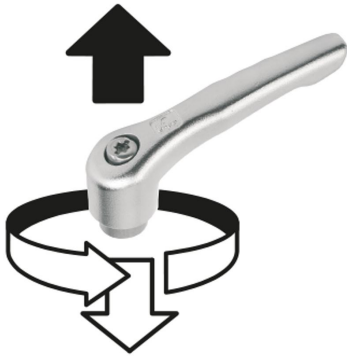
On request:

Other threads and special versions.

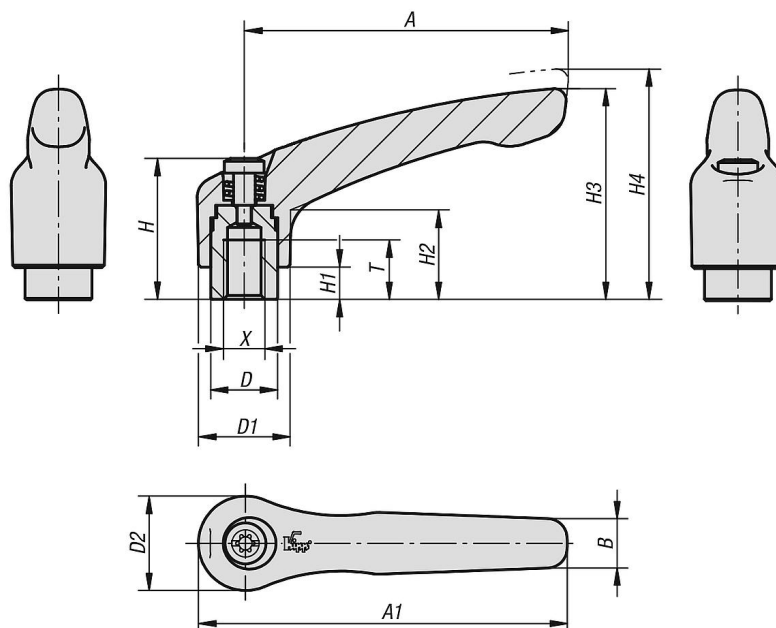
Dimension "H1" available in other lengths at extra charge.



lift to
disengage



Drawings



Adjustable handles, stainless steel with internal thread, threaded insert stainless steel - inch

Adjustable handles with internal thread, stainless steel

Order No.	Main color	Size	X	A	A1	B	D	D1	D2	H	H1	H2	H3	H4	T	No. of teeth
K0124.1A0	electropolished	1	10-24	40	47	7	10	13	14	24,5	4	14,5	31	34	9	16
K0124.1A1	electropolished	1	10-32	40	47	7	10	13	14	24,5	4	14,5	31	34	9	16
K0124.1A2	electropolished	1	1/4-20	40	47	7	10	13	14	24,5	4	14,5	31	34	9	16
K0124.2A2	electropolished	2	1/4-20	65	74,5	10	13,5	18,5	19	28,5	6,5	17,5	42,5	45,5	12	20
K0124.2A3	electropolished	2	5/16-18	65	74,5	10	13,5	18,5	19	28,5	6,5	17,5	42,5	45,5	12	20
K0124.3A3	electropolished	3	5/16-18	80	91	11	16	21	22	37	10	24	54,5	58,5	14	22
K0124.3A4	electropolished	3	3/8-16	80	91	11	16	21	22	37	10	24	54,5	58,5	14	22
K0124.4A4	electropolished	4	3/8-16	95	109	13	19	27	27,5	43	10	27	63	67,5	17	24
K0124.4A5	electropolished	4	1/2-13	95	109	13	19	27	27,5	43	10	27	63	67,5	17	24
K0124.5A5	electropolished	5	1/2-13	110	126	15	23	31	32	49	12	31,5	73	77,5	23	26
K0124.5A6	electropolished	5	5/8-11	110	126	15	23	31	32	49	12	31,5	73	77,5	23	26
K0124.1A0153	blasted	1	10-24	40	47	7	10	13	14	24,5	4	14,5	31	34	9	16
K0124.1A1153	blasted	1	10-32	40	47	7	10	13	14	24,5	4	14,5	31	34	9	16
K0124.1A2153	blasted	1	1/4-20	40	47	7	10	13	14	24,5	4	14,5	31	34	9	16
K0124.2A2153	blasted	2	1/4-20	65	74,5	10	13,5	18,5	19	28,5	6,5	17,5	42,5	45,5	12	20
K0124.2A3153	blasted	2	5/16-18	65	74,5	10	13,5	18,5	19	28,5	6,5	17,5	42,5	45,5	12	20
K0124.3A3153	blasted	3	5/16-18	80	91	11	16	21	22	37	10	24	54,5	58,5	14	22
K0124.3A4153	blasted	3	3/8-16	80	91	11	16	21	22	37	10	24	54,5	58,5	14	22
K0124.4A4153	blasted	4	3/8-16	95	109	13	19	27	27,5	43	10	27	63	67,5	17	24
K0124.4A5153	blasted	4	1/2-13	95	109	13	19	27	27,5	43	10	27	63	67,5	17	24
K0124.5A5153	blasted	5	1/2-13	110	126	15	23	31	32	49	12	31,5	73	77,5	23	26
K0124.5A6153	blasted	5	5/8-11	110	126	15	23	31	32	49	12	31,5	73	77,5	23	26