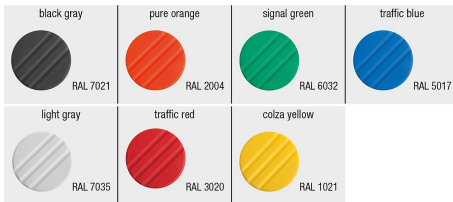


Knurled knobs with external thread - inch

Item description/product images

INCH
Parts



Description

Material:

Black thermoplastic.

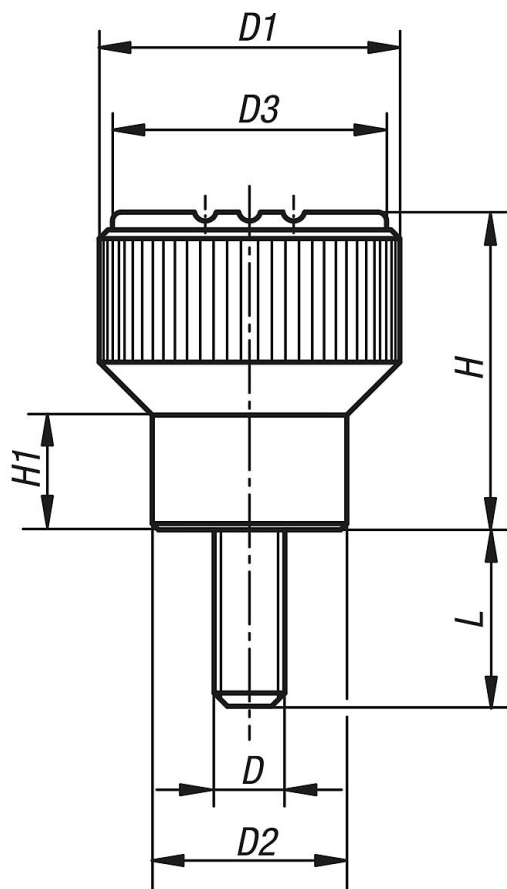
bushing and screw 5.8 steel or 1.4305 (AISI 303 equivalent) stainless steel.

Version:

Steel trivalent blue passivated, stainless steel bright.

Knurled knobs with external thread - inch

Drawings



Order No.	Material	color Cap	D	D1	D2	D3	H	H1	L
K0247.1A1X10	steel	black gray RAL 7021	10-32	21	14	19	22	8	10
K0247.1A15X10	steel	light gray RAL 7035	10-32	21	14	19	22	8	10
K0247.1A16X10	steel	traffic red RAL 3020	10-32	21	14	19	22	8	10
K0247.1A17X10	steel	colza yellow RAL 1021	10-32	21	14	19	22	8	10
K0247.1A1X20	steel	black gray RAL 7021	10-32	21	14	19	22	8	20
K0247.1A15X20	steel	light gray RAL 7035	10-32	21	14	19	22	8	20
K0247.1A16X20	steel	traffic red RAL 3020	10-32	21	14	19	22	8	20
K0247.1A17X20	steel	colza yellow RAL 1021	10-32	21	14	19	22	8	20
K0247.1A2X20	steel	black gray RAL 7021	1/4-20	21	14	19	22	8	20
K0247.1A25X20	steel	light gray RAL 7035	1/4-20	21	14	19	22	8	20
K0247.1A26X20	steel	traffic red RAL 3020	1/4-20	21	14	19	22	8	20
K0247.1A27X20	steel	colza yellow RAL 1021	1/4-20	21	14	19	22	8	20
K0247.1A2X30	steel	black gray RAL 7021	1/4-20	21	14	19	22	8	30
K0247.1A25X30	steel	light gray RAL 7035	1/4-20	21	14	19	22	8	30
K0247.1A26X30	steel	traffic red RAL 3020	1/4-20	21	14	19	22	8	30
K0247.1A27X30	steel	colza yellow RAL 1021	1/4-20	21	14	19	22	8	30
K0247.2A3X20	steel	black gray RAL 7021	5/16-18	26	18	23	26	9,5	20
K0247.2A35X20	steel	light gray RAL 7035	5/16-18	26	18	23	26	9,5	20
K0247.2A36X20	steel	traffic red RAL 3020	5/16-18	26	18	23	26	9,5	20
K0247.2A37X20	steel	colza yellow RAL 1021	5/16-18	26	18	23	26	9,5	20
K0247.2A3X40	steel	black gray RAL 7021	5/16-18	26	18	23	26	9,5	40
K0247.2A35X40	steel	light gray RAL 7035	5/16-18	26	18	23	26	9,5	40
K0247.2A36X40	steel	traffic red RAL 3020	5/16-18	26	18	23	26	9,5	40
K0247.2A37X40	steel	colza yellow RAL 1021	5/16-18	26	18	23	26	9,5	40
K0247.3A4X20	steel	black gray RAL 7021	3/8-16	34	22	31	36	13	20
K0247.3A45X20	steel	light gray RAL 7035	3/8-16	34	22	31	36	13	20

Knurled knobs with external thread - inch

Order No.	Material	color Cap	D	D1	D2	D3	H	H1	L
K0247.3A46X20	steel	traffic red RAL 3020	3/8-16	34	22	31	36	13	20
K0247.3A47X20	steel	colza yellow RAL 1021	3/8-16	34	22	31	36	13	20
K0247.3A4X40	steel	black gray RAL 7021	3/8-16	34	22	31	36	13	40
K0247.3A45X40	steel	light gray RAL 7035	3/8-16	34	22	31	36	13	40
K0247.3A46X40	steel	traffic red RAL 3020	3/8-16	34	22	31	36	13	40
K0247.3A47X40	steel	colza yellow RAL 1021	3/8-16	34	22	31	36	13	40
K0247.01A1X10	stainless steel	black gray RAL 7021	10-32	21	14	19	22	8	10
K0247.01A15X10	stainless steel	light gray RAL 7035	10-32	21	14	19	22	8	10
K0247.01A16X10	stainless steel	traffic red RAL 3020	10-32	21	14	19	22	8	10
K0247.01A17X10	stainless steel	colza yellow RAL 1021	10-32	21	14	19	22	8	10
K0247.01A1X20	stainless steel	black gray RAL 7021	10-32	21	14	19	22	8	20
K0247.01A15X20	stainless steel	light gray RAL 7035	10-32	21	14	19	22	8	20
K0247.01A16X20	stainless steel	traffic red RAL 3020	10-32	21	14	19	22	8	20
K0247.01A17X20	stainless steel	colza yellow RAL 1021	10-32	21	14	19	22	8	20
K0247.01A2X20	stainless steel	black gray RAL 7021	1/4-20	21	14	19	22	8	20
K0247.01A25X20	stainless steel	light gray RAL 7035	1/4-20	21	14	19	22	8	20
K0247.01A26X20	stainless steel	traffic red RAL 3020	1/4-20	21	14	19	22	8	20
K0247.01A27X20	stainless steel	colza yellow RAL 1021	1/4-20	21	14	19	22	8	20
K0247.01A2X30	stainless steel	black gray RAL 7021	1/4-20	21	14	19	22	8	30
K0247.01A25X30	stainless steel	light gray RAL 7035	1/4-20	21	14	19	22	8	30
K0247.01A26X30	stainless steel	traffic red RAL 3020	1/4-20	21	14	19	22	8	30
K0247.01A27X30	stainless steel	colza yellow RAL 1021	1/4-20	21	14	19	22	8	30
K0247.02A3X20	stainless steel	black gray RAL 7021	5/16-18	26	18	23	26	9,5	20
K0247.02A35X20	stainless steel	light gray RAL 7035	5/16-18	26	18	23	26	9,5	20
K0247.02A36X20	stainless steel	traffic red RAL 3020	5/16-18	26	18	23	26	9,5	20
K0247.02A37X20	stainless steel	colza yellow RAL 1021	5/16-18	26	18	23	26	9,5	20
K0247.02A3X40	stainless steel	black gray RAL 7021	5/16-18	26	18	23	26	9,5	40
K0247.02A35X40	stainless steel	light gray RAL 7035	5/16-18	26	18	23	26	9,5	40
K0247.02A36X40	stainless steel	traffic red RAL 3020	5/16-18	26	18	23	26	9,5	40
K0247.02A37X40	stainless steel	colza yellow RAL 1021	5/16-18	26	18	23	26	9,5	40
K0247.03A4X20	stainless steel	black gray RAL 7021	3/8-16	34	22	31	36	13	20
K0247.03A45X20	stainless steel	light gray RAL 7035	3/8-16	34	22	31	36	13	20
K0247.03A46X20	stainless steel	traffic red RAL 3020	3/8-16	34	22	31	36	13	20
K0247.03A47X20	stainless steel	colza yellow RAL 1021	3/8-16	34	22	31	36	13	20
K0247.03A4X40	stainless steel	black gray RAL 7021	3/8-16	34	22	31	36	13	40
K0247.03A45X40	stainless steel	light gray RAL 7035	3/8-16	34	22	31	36	13	40
K0247.03A46X40	stainless steel	traffic red RAL 3020	3/8-16	34	22	31	36	13	40
K0247.03A47X40	stainless steel	colza yellow RAL 1021	3/8-16	34	22	31	36	13	40