

## Mushroom knobs internal thread - inch

Item description/product images

INCH  
Parts



### Description

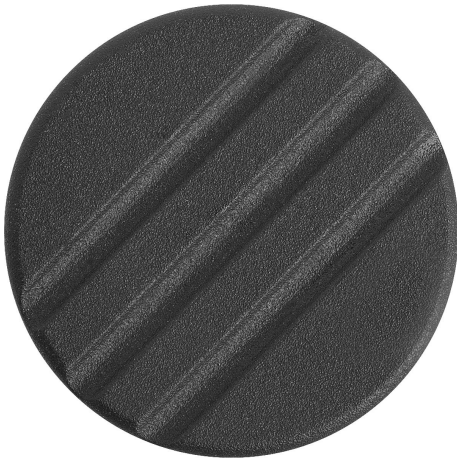
**Material:**

Black thermoplastic.

bushing grade 5.8 steel or 1.4305 (AISI 303 equivalent) stainless steel.

**Version:**

Steel trivalent blue passivated, stainless steel bright.

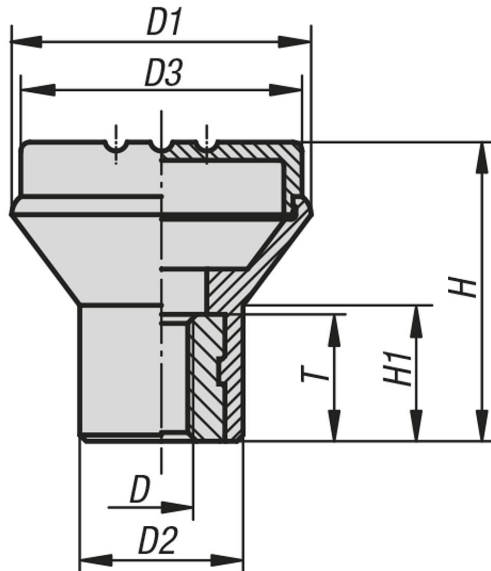


## Mushroom knobs internal thread - inch

Item description/product images



### Drawings



### Mushroom knobs with internal thread

Order No.	Component material	color Cap	D	D1	D2	D3	H	H1	T
K0251.0AE6	stainless steel	traffic red RAL 3020	8-32	21	13	19	21	10	10
K0251.0AE	stainless steel	black gray RAL 7021	8-32	21	13	19	21	10	10
K0251.0AE7	stainless steel	colza yellow RAL 1021	8-32	21	13	19	21	10	10
K0251.0AE5	stainless steel	light gray RAL 7035	8-32	21	13	19	21	10	10
K0251.0A1	stainless steel	black gray RAL 7021	10-32	21	13	19	21	10	10
K0251.0A15	stainless steel	light gray RAL 7035	10-32	21	13	19	21	10	10
K0251.0A16	stainless steel	traffic red RAL 3020	10-32	21	13	19	21	10	10
K0251.0A17	stainless steel	colza yellow RAL 1021	10-32	21	13	19	21	10	10
K0251.0A27	stainless steel	colza yellow RAL 1021	1/4-20	25	14	23	25	12	10
K0251.0A25	stainless steel	light gray RAL 7035	1/4-20	25	14	23	25	12	10
K0251.0A2	stainless steel	black gray RAL 7021	1/4-20	25	14	23	25	12	10
K0251.0A26	stainless steel	traffic red RAL 3020	1/4-20	25	14	23	25	12	10
K0251.0A36	stainless steel	traffic red RAL 3020	5/16-18	33	18	31	33	15	14

Order No.	Component material	color Cap	D	D1	D2	D3	H	H1	T
K0251.OA35	stainless steel	light gray RAL 7035	5/16-18	33	18	31	33	15	14
K0251.OA3	stainless steel	black gray RAL 7021	5/16-18	33	18	31	33	15	14
K0251.OA37	stainless steel	colza yellow RAL 1021	5/16-18	33	18	31	33	15	14
K0251.AE	steel	black gray RAL 7021	8-32	21	13	19	21	10	10
K0251.AE5	steel	light gray RAL 7035	8-32	21	13	19	21	10	10
K0251.AE6	steel	traffic red RAL 3020	8-32	21	13	19	21	10	10
K0251.AE7	steel	colza yellow RAL 1021	8-32	21	13	19	21	10	10
K0251.A17	steel	colza yellow RAL 1021	10-32	21	13	19	21	10	10
K0251.A16	steel	traffic red RAL 3020	10-32	21	13	19	21	10	10
K0251.A1	steel	black gray RAL 7021	10-32	21	13	19	21	10	10
K0251.A15	steel	light gray RAL 7035	10-32	21	13	19	21	10	10
K0251.A2	steel	black gray RAL 7021	1/4-20	25	14	23	25	12	10
K0251.A25	steel	light gray RAL 7035	1/4-20	25	14	23	25	12	10
K0251.A27	steel	colza yellow RAL 1021	1/4-20	25	14	23	25	12	10
K0251.A26	steel	traffic red RAL 3020	1/4-20	25	14	23	25	12	10
K0251.A35	steel	light gray RAL 7035	5/16-18	33	18	31	33	15	14
K0251.A36	steel	traffic red RAL 3020	5/16-18	33	18	31	33	15	14
K0251.A3	steel	black gray RAL 7021	5/16-18	33	18	31	33	15	14
K0251.A37	steel	colza yellow RAL 1021	5/16-18	33	18	31	33	15	14