

Cylindrical grips fold-down - inch

Item description/product images

INCH
Parts



Description

Material:

Black gray thermoplastic.

Version:

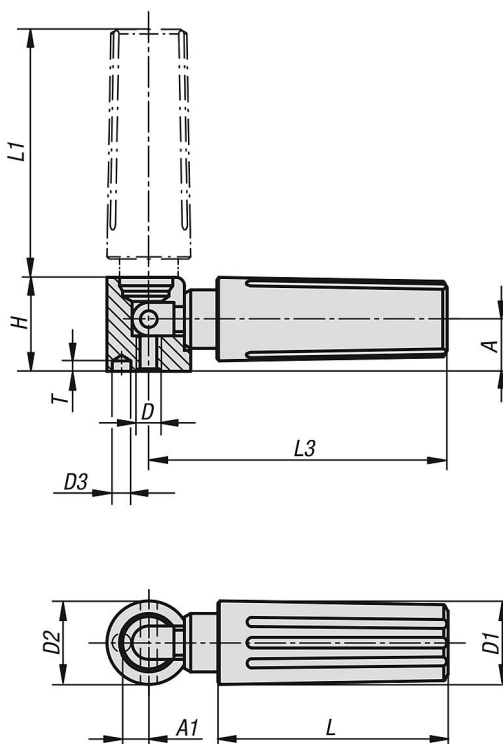
Steel parts black oxidized.

Note:

The grips are supplied assembled and can be screwed to our handwheels, crank handles etc.

The hole D3 is used for positioning.

Drawings



Cylindrical grips fold-down

Item No.	A	A1	D	D1	D2	D3	H	L	L1	L3	T
K0264.1AE	8	4,3	8-32	13	13	2,5	14,5	35	40	47	4,5
K0264.2A1	10	5,3	10-32	16	16	3,5	18	44	49	58	4,5
K0264.4A3	16	9	5/16-18	25	26	5,5	29	70,5	83,5	98,5	6,5

