

Wing grips internal thread, stainless steel - inch

Item description/product images



Description

Material:

Stainless steel 1.4308 (AISI "316" equivalent).

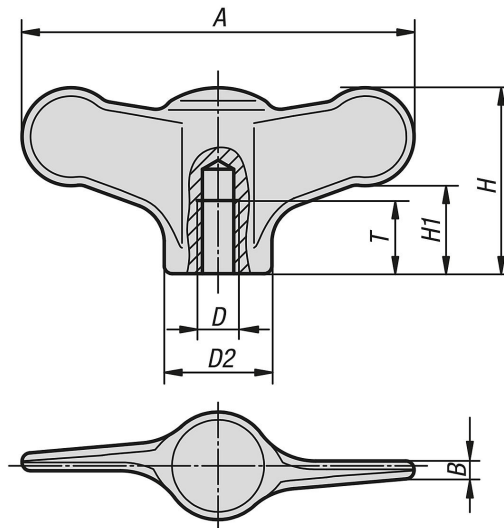
Version:

Polished or blasted.

On request:

With external threads.

Drawings



Wing grips with internal thread, stainless steel

Item No.	Main color	A	B	D	D2	H	H1	T
K0273.9AE	polished	38	1,7	8-32	10,5	18	8,5	9
K0273.9A1	polished	38	1,7	10-32	10,5	18	8,5	9
K0273.9A2	polished	38	1,7	1/4-20	10,5	18	8,5	9
K0273.1A0	polished	50	2,3	10-24	14	24	11,5	10
K0273.1A1	polished	50	2,3	10-32	14	24	11,5	12
K0273.1A2	polished	50	2,3	1/4-20	14	24	11,5	10
K0273.2A3	polished	75	3,4	5/16-18	21	35	16,5	14
K0273.2A4	polished	75	3,4	3/8-16	21	35	16,5	14
K0273.9AE1	blasted	38	1,7	8-32	10,5	18	8,5	9
K0273.9A11	blasted	38	1,7	10-32	10,5	18	8,5	9
K0273.9A21	blasted	38	1,7	1/4-20	10,5	18	8,5	9
K0273.1A01	blasted	50	2,3	10-24	14	24	11,5	12
K0273.1A11	blasted	50	2,3	10-32	14	24	11,5	12
K0273.1A21	blasted	50	2,3	1/4-20	14	24	11,5	12
K0273.2A31	blasted	75	3,4	5/16-18	21	35	16,5	15
K0273.2A41	blasted	75	3,4	3/8-16	21	35	16,5	15

