

## Handwheels DIN 950 gray cast iron, without grip - inch

Item description/product images

INCH  
Parts



### Description

**Material:**

Handwheel gray cast iron

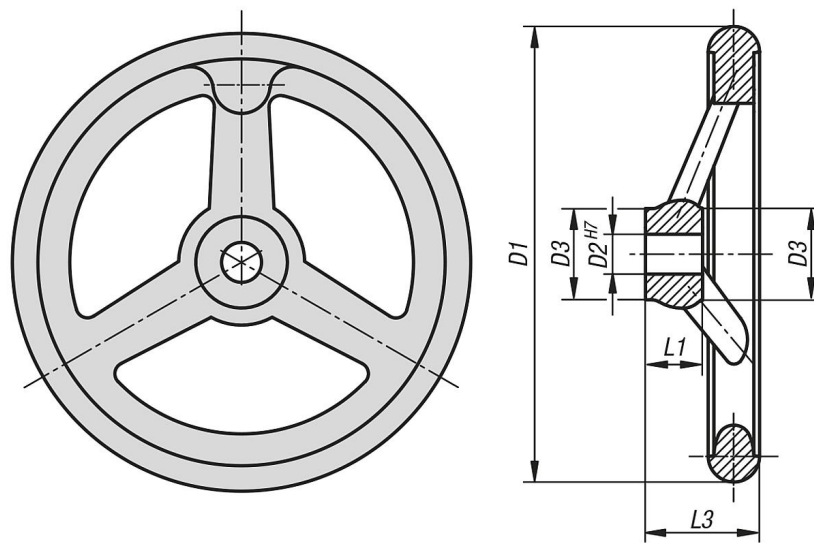
**Version:**

Wheel rim turned and polished.

**On request:**

Hubs with square socket or powder-coated handwheels.

### Drawings



| Order No.     | D1  | D2    | D3 | L1 | L3 | No. of spokes |
|---------------|-----|-------|----|----|----|---------------|
| K0671.0080XC� | 80  | 0,312 | 25 | 16 | 29 | 3             |
| K0671.0080XC0 | 80  | 0,375 | 25 | 16 | 29 | 3             |
| K0671.0100XC0 | 100 | 0,375 | 26 | 17 | 33 | 3             |
| K0671.0100XCp | 100 | 0,5   | 26 | 17 | 33 | 3             |
| K0671.0125XC0 | 125 | 0,375 | 33 | 18 | 36 | 3             |
| K0671.0125XCp | 125 | 0,5   | 33 | 18 | 36 | 3             |
| K0671.0140XCp | 140 | 0,5   | 33 | 19 | 39 | 3             |
| K0671.0140XCq | 140 | 0,625 | 33 | 19 | 39 | 3             |
| K0671.0160XCp | 160 | 0,5   | 37 | 20 | 40 | 3             |
| K0671.0160XCq | 160 | 0,625 | 37 | 20 | 40 | 3             |
| K0671.0180XCp | 180 | 0,5   | 36 | 22 | 43 | 3             |
| K0671.0180XCq | 180 | 0,625 | 36 | 22 | 43 | 3             |
| K0671.0200XCq | 200 | 0,625 | 38 | 24 | 45 | 3             |
| K0671.0200XCr | 200 | 0,75  | 38 | 24 | 45 | 3             |

**Handwheels DIN 950 gray cast iron, without grip - inch**

| Order No.     | D1  | D2    | D3 | L1 | L3 | No. of spokes |
|---------------|-----|-------|----|----|----|---------------|
| K0671.0250XCR | 250 | 0,75  | 46 | 28 | 50 | 5             |
| K0671.0250XCV | 250 | 0,875 | 46 | 28 | 50 | 5             |
| K0671.0315XCV | 315 | 0,875 | 54 | 33 | 56 | 5             |
| K0671.0315XCS | 315 | 1     | 54 | 33 | 56 | 5             |
| K0671.0400XCS | 400 | 1     | 68 | 38 | 63 | 5             |
| K0671.0500XCS | 500 | 1     | 79 | 45 | 72 | 5             |