

## Handwheels DIN 950 gray cast iron, with revolving grip - inch

Item description/product images

INCH  
Parts



### Description

**Material:**

Handwheel, gray cast iron.

Grip steel.

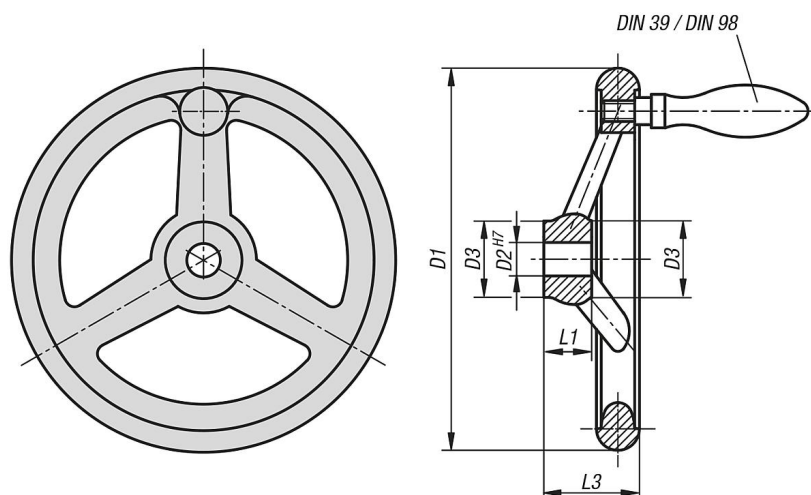
**Version:**

Wheel rim turned and polished.

**On request:**

Hubs with square socket or powder-coated handwheels.

### Drawings



Order No.	D1	D2	D3	L1	L3	No. of spokes	revolving grip DIN 98 Style E
K0671.4080XCN	80	0,312	25	16	29	3	ø16 x M6 x 54,5
K0671.4080XCO	80	0,375	25	16	29	3	ø16 x M6 x 54,5
K0671.4100XCO	100	0,375	26	17	33	3	ø16 x M6 x 54,5
K0671.4100XCP	100	0,5	26	17	33	3	ø16 x M6 x 54,5
K0671.4125XCO	125	0,375	33	18	36	3	ø20 x M8 x 67
K0671.4125XCP	125	0,5	33	18	36	3	ø20 x M8 x 67
K0671.4140XCP	140	0,5	33	19	39	3	ø20 x M8 x 67
K0671.4140XCQ	140	0,625	33	19	39	3	ø20 x M8 x 67
K0671.4160XCP	160	0,5	37	20	40	3	ø25 x M10 x 83
K0671.4160XCQ	160	0,625	37	20	40	3	ø25 x M10 x 83
K0671.4180XCP	180	0,5	36	22	43	3	ø25 x M10 x 83
K0671.4180XCQ	180	0,625	36	22	43	3	ø25 x M10 x 83
K0671.4200XCQ	200	0,625	38	24	45	3	ø25 x M10 x 83
K0671.4200XCR	200	0,75	38	24	45	3	ø25 x M10 x 83
K0671.4250XCR	250	0,75	46	28	50	5	ø32 x M12 x 105,5
K0671.4250XCV	250	0,875	46	28	50	5	ø32 x M12 x 105,5

**Handwheels DIN 950 gray cast iron, with revolving grip - inch**

Order No.	D1	D2	D3	L1	L3	No. of spokes	revolving grip DIN 98 Style E
<b>K0671.4315XCV</b>	315	0,875	54	33	56	5	ø32 x M12 x 105,5
<b>K0671.4315XCS</b>	315	1	54	33	56	5	ø32 x M12 x 105,5
<b>K0671.4400XCS</b>	400	1	68	38	63	5	ø36 x M16 x 117
<b>K0671.4500XCS</b>	500	1	79	45	72	5	ø36 x M16 x 117