

Handwheels DIN 950, aluminum, without grip - inch

Item description/product images

INCH
Parts



Description

Material:

Handwheel in aluminum

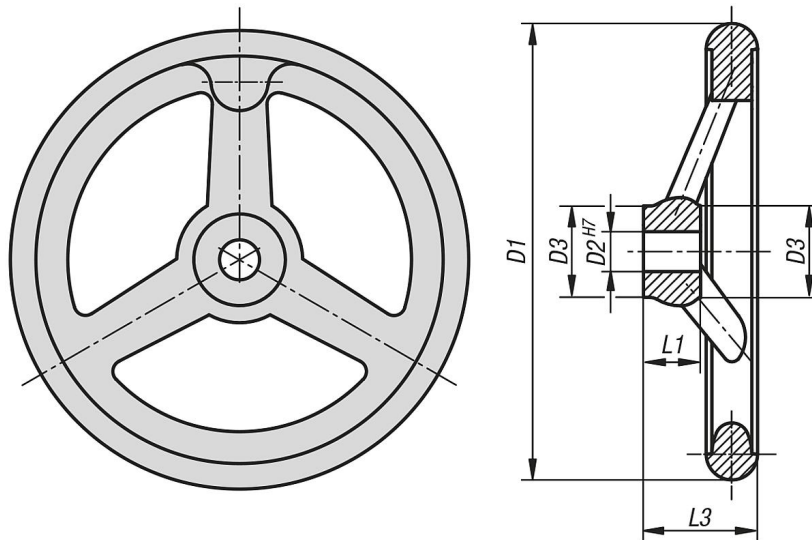
Version:

Wheel rim turned and polished.

On request:

Hubs with square socket or powder-coated handwheels.

Drawings



Order No.	D1	D2	D3	L1	L3	No. of spokes
K0160.0080XCN	80	0,312	25	16	29	3
K0160.0080XCO	80	0,375	25	16	29	3
K0160.0100XCO	100	0,375	29	17	33	3
K0160.0100XCP	100	.500	29	17	33	3
K0160.0125XCO	125	0,375	31	18	36	3
K0160.0125XCP	125	0,5	31	18	36	3
K0160.0140XCP	140	0,5	36	19	39	3

Handwheels DIN 950, aluminum, without grip - inch

Order No.	D1	D2	D3	L1	L3	No. of spokes
K0160.0140XCQ	140	0,625	36	19	39	3
K0160.0160XCP	160	0,5	36	20	40	3
K0160.0160XCQ	160	0,625	36	20	40	3
K0160.0180XCP	180	0,5	37	22	43	3
K0160.0180XCQ	180	0,625	37	22	43	3
K0160.0200XCQ	200	0,625	43	24	45	3
K0160.0200XCR	200	0,75	43	24	45	3
K0160.0250XCR	250	0,75	49	28	50	5
K0160.0250XCV	250	0,875	49	28	50	5
K0160.0315XCV	315	0,875	54	33	56	5
K0160.0315XCS	315	1	54	33	56	5
K0160.0400XCS	400	1	65	38	63	5
K0160.0500XCS	500	1	79	45	72	5