

Handwheels DIN 950, aluminum, with revolving grip - inch

Item description/product images

INCH
Parts



Description

Material:

Handwheel aluminum.

Fixed grip aluminum, center pin black oxidized steel.

Revolving grip aluminum, center pin trivalent blue passivated steel.

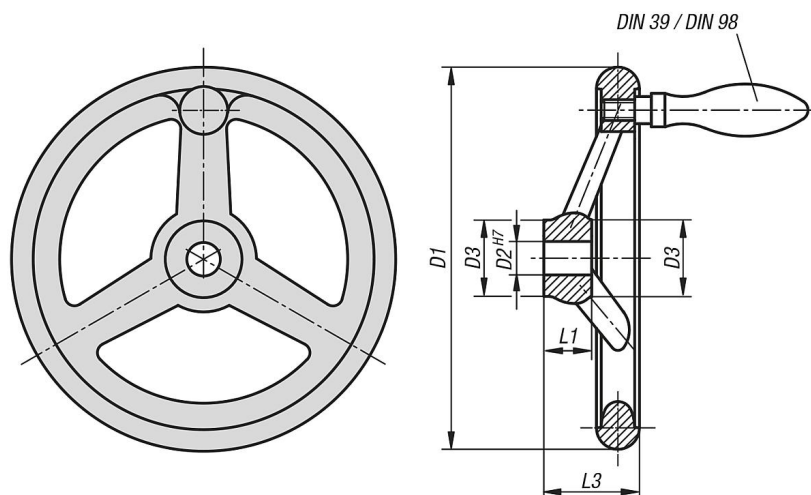
Version:

Wheel rim turned and polished.

On request:

Hubs with square socket or powder-coated handwheels.

Drawings



Order No.	D1	D2	D3	L1	L3	No. of spokes	revolving grip DIN 98 Style E
K0160.4080XCN	80	0,312	25	16	29	3	ø16 x M6 x 54.5
K0160.4080XCO	80	0,375	25	16	29	3	ø16 x M6 x 54.5
K0160.4100XCO	100	0,375	29	17	33	3	ø16 x M6 x 54.5
K0160.4100XCP	100	0,5	29	17	33	3	ø16 x M6 x 54.5
K0160.4125XCO	125	0,375	31	18	36	3	ø20 x M8 x 67
K0160.4125XCP	125	0,5	31	18	36	3	ø20 x M8 x 67
K0160.4140XCP	140	0,5	36	19	39	3	ø20 x M8 x 67
K0160.4140XCQ	140	0,625	36	19	39	3	ø20 x M8 x 67

Handwheels DIN 950, aluminum, with revolving grip - inch

Order No.	D1	D2	D3	L1	L3	No. of spokes	revolving grip DIN 98 Style E
K0160.4160XCP	160	0,5	36	20	40	3	ø25 x M10 x 83
K0160.4160XCQ	160	0,625	36	20	40	3	ø25 x M10 x 83
K0160.4180XCP	180	0,5	37	22	43	3	ø25 x M10 x 83
K0160.4180XCQ	180	0,625	37	22	43	3	ø25 x M10 x 83
K0160.4200XCQ	200	0,625	43	24	45	3	ø25 x M10 x 83
K0160.4200XCR	200	0,75	43	24	45	3	ø25 x M10 x 83
K0160.4250XCR	250	0,75	49	28	50	5	ø32 x M12 x 105,5
K0160.4250XCV	250	0,875	49	28	50	5	ø32 x M12 x 105,5
K0160.4315XCV	315	0,875	54	33	56	5	ø32 x M12 x 105,5
K0160.4315XCS	315	1	54	33	56	5	ø32 x M12 x 105,5
K0160.4400XCS	400	1	65	38	63	5	ø36 x M16 x 117
K0160.4500XCS	500	1	79	45	72	5	ø36 x M16 x 117