

Spring plungers with hexagon socket and ball, standard spring force - inch

Item description/product images

INCH
Parts



Description

Material:

body 1.4305 (AISI 303 equivalent).
Ball 1.4034 (AISI 420 equivalent).
Spring 1.4310 (AISI 301 equivalent).

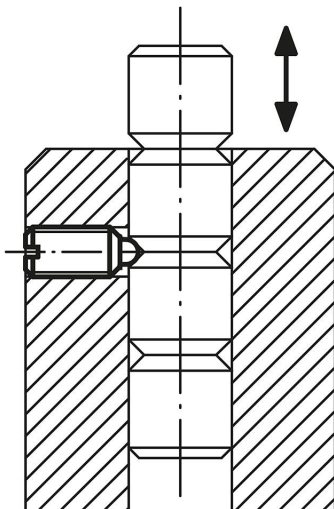
Version:

Bright. Ball hardened.

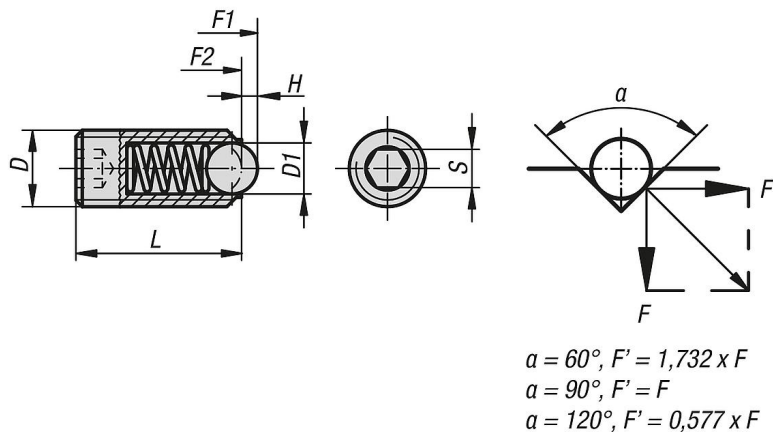
Note:

For the inch series, dimension D and S are in inches, all other dimensions are in mm.

column indexing



Drawings



Spring plungers with hexagon socket and ball, standard spring force - inch

Item No.	D	D1	H	L	S	Spring force initial pressure F1 approx. N	Spring force final pressure F2 approx. N
K0316.AJ	1/4-28	3,5	1	15	1/8	9	13
K0316.A2	1/4-20	3,5	1	15	1/8	9	13
K0316.A3	5/16-18	5	1,5	18	5/32	15	30
K0316.A4	3/8-16	6	2	23	3/16	20	35
K0316.A5	1/2-13	8	2,5	26	7/32	30	55
K0316.A6	5/8-11	10	3,5	33	5/16	65	125