

## Spring plungers with hexagon socket and ball, strong spring force - inch

Item description/product images

INCH  
Parts



### Description

**Material:**

body 1.4305 (AISI 303 equivalent).  
Ball 1.4034 (AISI 420 equivalent).  
Spring 1.4310 (AISI 301 equivalent).

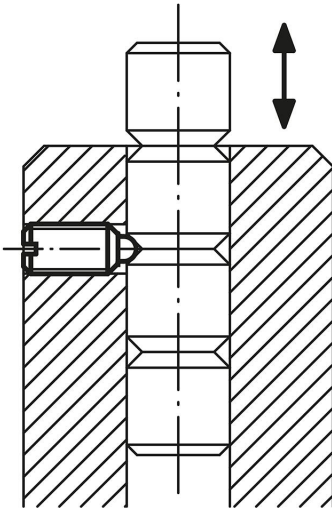
**Version:**

Bright. Ball hardened.

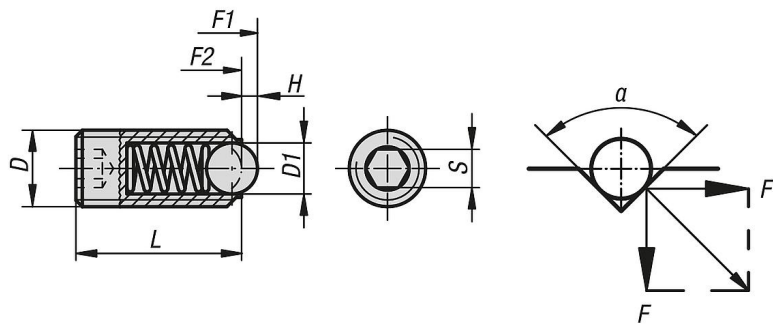
**Note:**

For the inch series, dimension D and S are in inches, all other dimensions are in mm.

column indexing



### Drawings



$$\begin{aligned}
 \alpha = 60^\circ, F' &= 1,732 \times F \\
 \alpha = 90^\circ, F' &= F \\
 \alpha = 120^\circ, F' &= 0,577 \times F
 \end{aligned}$$

**Spring plungers with hexagon socket and ball, strong spring force - inch**

| Item No.         | D       | D1  | H   | L  | S    | Spring force<br>initial pressure<br>F1 approx. N | Spring force<br>final pressure<br>F2 approx. N |
|------------------|---------|-----|-----|----|------|--|--|
| <b>K0316.2AJ</b> | 1/4-28  | 3,5 | 1   | 15 | 1/8  | 28   | 40   |
| <b>K0316.2A2</b> | 1/4-20  | 3,5 | 1   | 15 | 1/8  | 28   | 40   |
| <b>K0316.2A3</b> | 5/16-18 | 5   | 1,5 | 18 | 5/32 | 47   | 73   |
| <b>K0316.2A4</b> | 3/8-16  | 6   | 2   | 23 | 3/16 | 66   | 100  |
| <b>K0316.2A5</b> | 1/2-13  | 8   | 2,5 | 26 | 7/32 | 66   | 120  |
| <b>K0316.2A6</b> | 5/8-11  | 10  | 3,5 | 33 | 5/16 | 90   | 180  |