

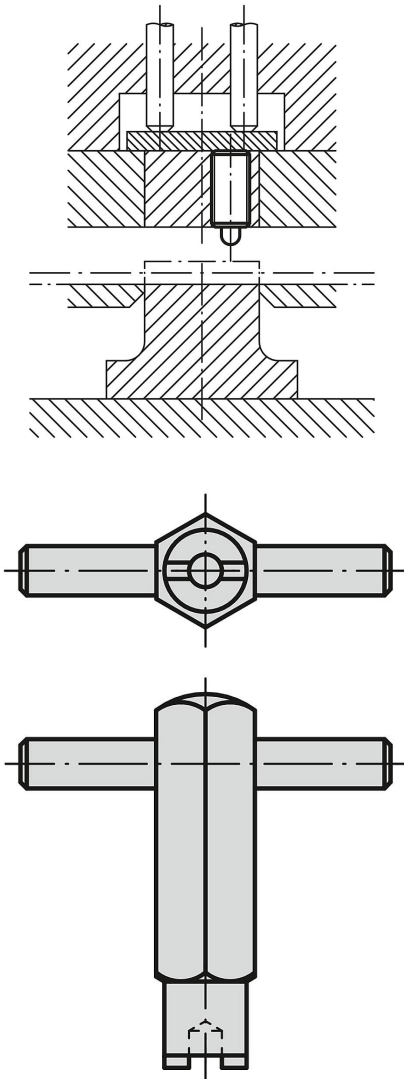
## Spring plungers with hexagon socket and thrust pin, standard spring force - inch

Item description/product images

INCH  
Parts



application example



### Description

**Material:**

body steel grade 5.8.  
Thrust pin POM.  
Spring grade D steel wire.

**Version:**

Black oxidized.

**Note:**

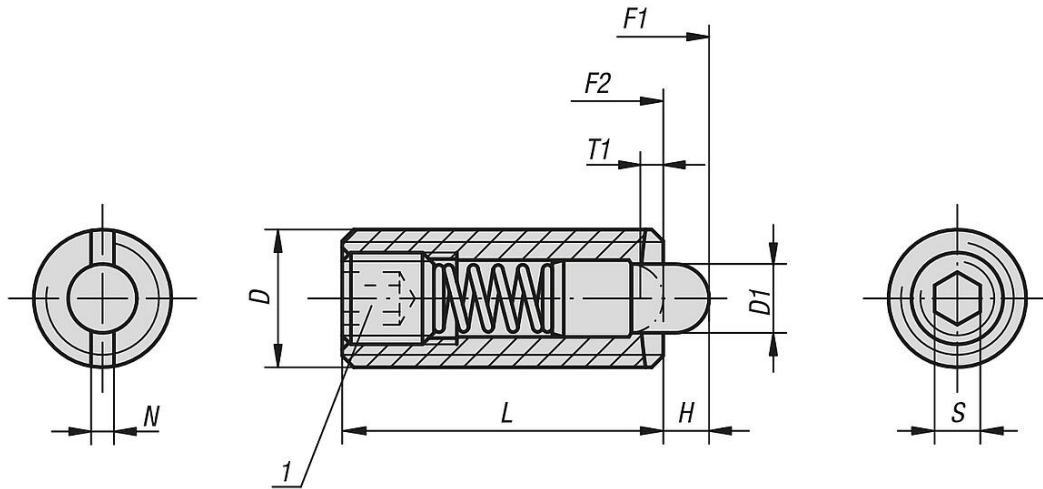
For the inch series, dimension D and S are in inches, all other dimensions are in mm.

**Drawing reference:**

1) grub screw glued in

## Spring plungers with hexagon socket and thrust pin, standard spring force - inch

Drawings



Item No.	D	D1	H	L	T1	N	S	Spring force initial pressure F1 approx. N	Spring force final pressure F2 approx. N	Item No. Installation tool
K0318.AD	6-32	1	1,5	10	1	0,4	0,7	0,5	3	K0317.903
K0318.AG	8-36	1,5	1,5	15	0,6	0,6	1,3	5	16	K0317.904
K0318.AE	8-32	1,5	1,5	15	0,6	0,6	1,3	5	16	K0317.904
K0318.A1	10-32	2,4	2,3	18	0,8	0,8	1,5	6	20	K0317.905
K0318.AJ	1/4-28	2,7	2,5	20	1	1	2	7	20	K0317.906
K0318.A2	1/4-20	2,7	2,5	20	1	1	2	7	20	K0317.906
K0318.A3	5/16-18	3,5	3	22	1,4	1,2	2,5	9	35	K0317.908
K0318.A4	3/8-16	4	3	22	1,4	1,6	3	9	35	K0317.910
K0318.A5	1/2-13	6	4	28	2	2	4	12	55	K0317.912
K0318.A6	5/8-11	7,5	5	32	2,5	2,5	5	45	100	K0317.916