

## Lateral spring plungers without seal, thrust pin and spring steel - inch

Item description/product images

INCH  
Parts**Description****Material:**

body in aluminum; spring in steel; pressure pin in steel

**Version:**

Steel thrust pin hardened and electro zinc-plated.

body blue electro zinc-plated.

**Order information:**

For the inch series, dimension D and D2 are in inches, all other dimensions are in mm.

**Note:**

Lateral spring plungers are for positioning, clamping, holding and securing workpieces and parts for engraving, labelling, drilling, reaming, tapping, honing, grinding, welding, soldering, assembling, mounting etc.

Suitable eccentric adjustment bushing see K0369.

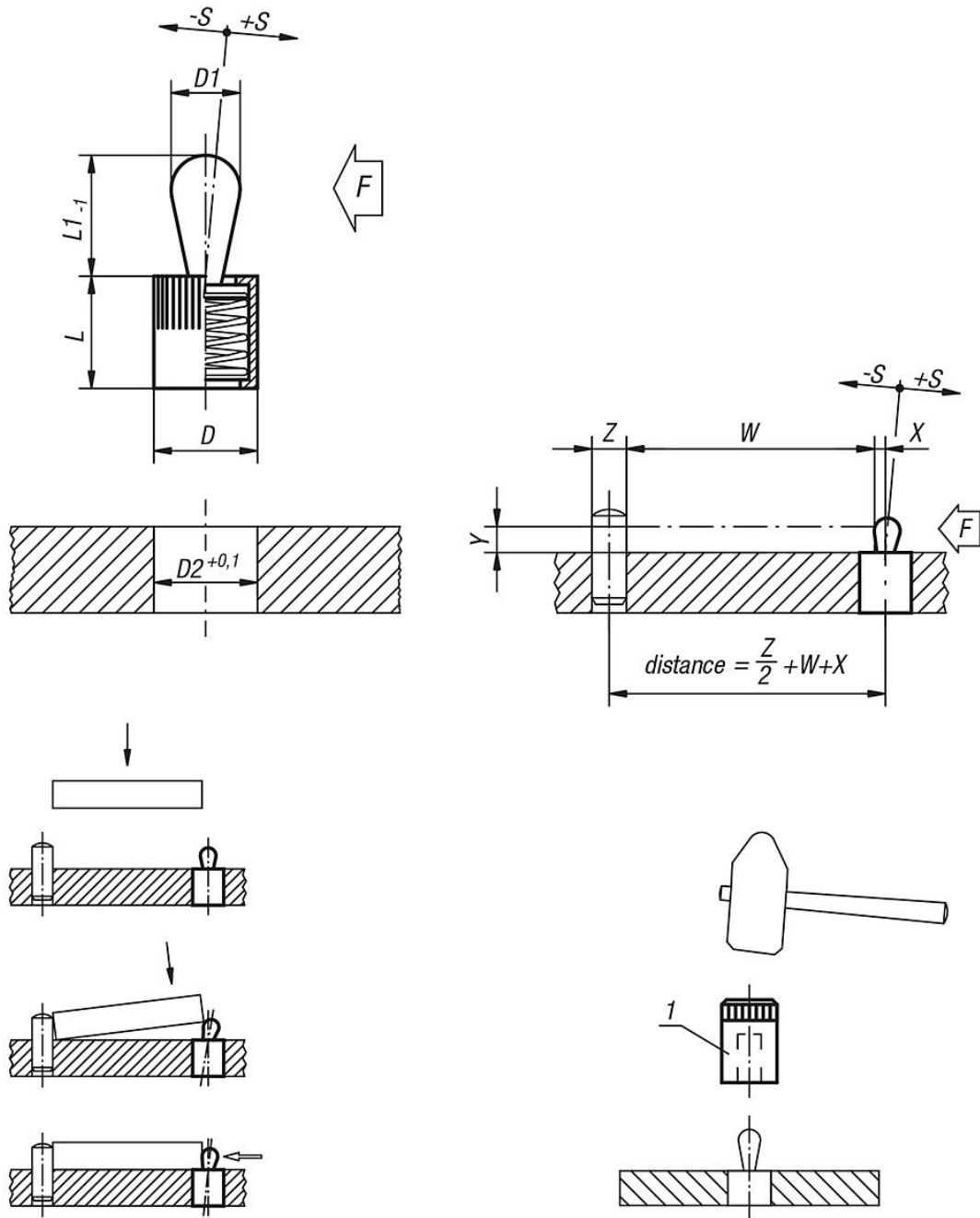
W and Z are customer specified.

**Drawing reference:**

1) assembly tool

## Lateral spring plungers without seal, thrust pin and spring steel - inch

### Drawings



Item No.	D	D1	L	L1	D2	±S	F ca.N	X if Y = 1	X if Y = 2	X if Y = 3	X if Y = 4.5	X if Y = 6	X if Y = 8	Item No. installation tool
K0368.21034CM	1/4	3	7	4	1/4	0,5	10	0,8	1	1	1	1	1	K0369.03CM
K0368.21036CM	1/4	3	7	4	1/4	0,5	20	0,8	1	1	1	1	1	K0369.03CM
K0368.21038CM	1/4	3	7	4	1/4	0,5	40	0,8	1	1	1	1	1	K0369.03CM
K0368.21054CU	7/16	5	11	6,7	7/16	0,8	20	-	1,5	1,7	1,7	1,7	1,7	K0369.05CU
K0368.21056CU	7/16	5	11	6,7	7/16	0,8	50	-	1,5	1,7	1,7	1,7	1,7	K0369.05CU
K0368.21058CU	7/16	5	11	6,7	7/16	0,8	100	-	1,5	1,7	1,7	1,7	1,7	K0369.05CU
K0368.21064CU	7/16	6	11	10,7	7/16	1	40	-	-	-	1,7	1,9	1,9	K0369.05CU
K0368.21066CU	7/16	6	11	10,7	7/16	1	75	-	-	-	1,7	1,9	1,9	K0369.05CU
K0368.21068CU	7/16	6	11	10,7	7/16	1	150	-	-	-	1,7	1,9	1,9	K0369.05CU
K0368.21084CP	1/2	8	13	13,9	1/2	1,3	50	-	-	-	-	2,5	2,7	K0369.08CP

## Lateral spring plungers without seal, thrust pin and spring steel - inch

Item No.	D	D1	L	L1	D2	±S	F ca.N	X if Y = 1	X if Y = 2	X if Y = 3	X if Y = 4.5	X if Y = 6	X if Y = 8	Item No. installation tool
<b>K0368.21086CP</b>	1/2	8	13	13,9	1/2	1,3	100	-	-	-	-	2,5	2,7	K0369.08CP
<b>K0368.21088CP</b>	1/2	8	13	13,9	1/2	1,3	150	-	-	-	-	2,5	2,7	K0369.08CP
<b>K0368.21104CQ</b>	5/8	10	17	16,7	5/8	1,6	100	-	-	-	-	-	3,1	K0369.10CQ
<b>K0368.21106CQ</b>	5/8	10	17	16,7	5/8	1,6	150	-	-	-	-	-	3,1	K0369.10CQ
<b>K0368.21108CQ</b>	5/8	10	17	16,7	5/8	1,6	200	-	-	-	-	-	3,1	K0369.10CQ