

Indexing plungers, stainless steel with stainless steel mushroom grip - inch

Item description/product images

INCH
Parts



Description

Product description:

Indexing plungers are used where it is necessary to prevent changes of position due to lateral forces.

Some examples of this are for length, height and position indexing in machines, equipment, furniture and special vehicle construction.

A new indexed position can only be moved to after the pin has been manually retracted. style C and D are recommended for applications where the indexing pin should remain disengaged for an extended period and be prevented from springing back.

The materials used enable diverse applications including those with the highest demands on corrosion resistance

Material:

Indexing pin hardened:

Threaded body 1.4305 (AISI 303 equivalent).

Indexing pin 1.4034 (AISI 420 equivalent).

Indexing pin not hardened:

Threaded body 1.4305 (AISI 303 equivalent).

Indexing pin 1.4305 (AISI 303 equivalent).

Mushroom knob 1.4305 (AISI 303 equivalent), electropolished.

Version:

Bright.

Indexing pin ground.

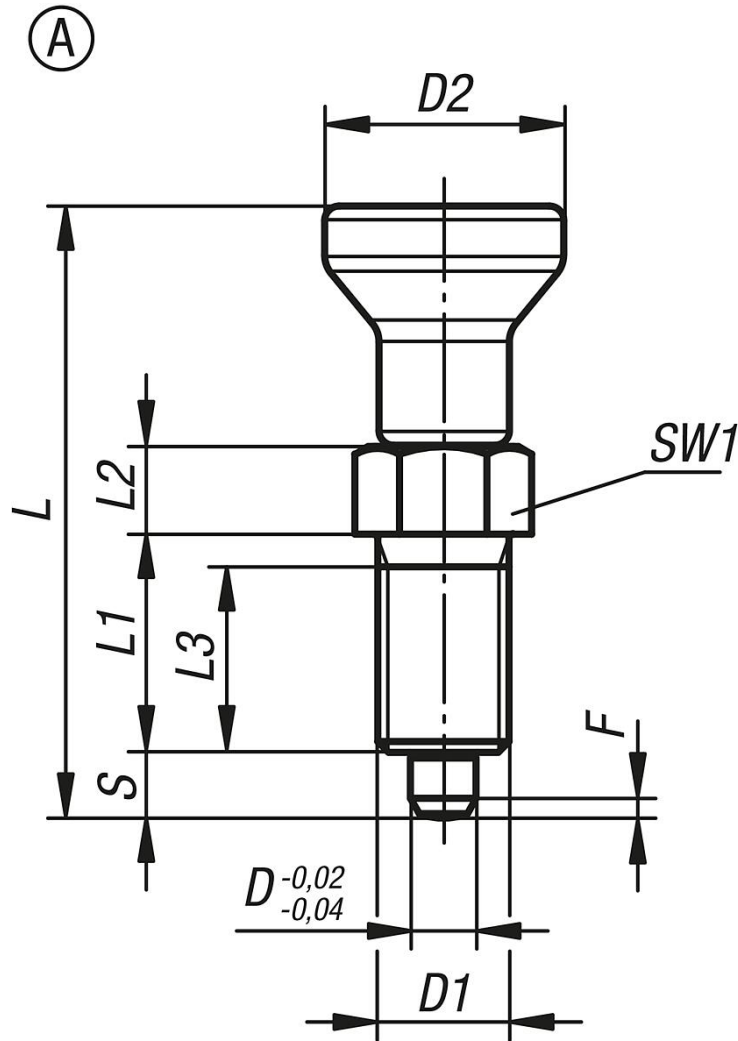
On request:

Special versions.

Accessory:

Spacer rings K0665

Indexing plungers, stainless steel with stainless steel mushroom grip - inch
 Drawings



Order No.	style	Main material	Steel code	Mushroom grip	locating pin	D	D1	D2	L	L1	L2	L3	Travel S	SW1	Fx30°	Spring force initial pressure F1 approx. N	Spring force final pressure F2 approx. N
K0632.001903AJ	A	stainless steel	1.4034	-	hardened	3	1/4-28	14	34,5	12	5	10	3,5	8	0,8	4,5	10
K0632.001004AK	A	stainless steel	1.4034	-	hardened	4	5/16-24	18	43	15	6	13	4	10	1	6	12
K0632.001105AL	A	stainless steel	1.4034	-	hardened	5	3/8-24	21	50	17	7	15	5	13	1,3	4,5	12
K0632.001206A5	A	stainless steel	1.4034	-	hardened	6	1/2-13	25	59	20	8	17	6	14	1,8	6	14
K0632.001308A6	A	stainless steel	1.4034	-	hardened	8	5/8-11	33	77	26	10	23	8	19	2,3	15	35
K0632.001410A7	A	stainless steel	1.4034	-	hardened	10	3/4-10	33	83	28	12	25	10	22	2,6	15	34
K0632.001412A0	A	stainless steel	1.4034	-	hardened	12	3/4-16	33	87	28	14	25	12	22	2,8	15	39
K0632.001516A8	A	stainless steel	1.4034	-	hardened	16	1-8	40	106	32	18	28	16	27	3,2	20	46
K0632.111903AJ	A	stainless steel	1.4305	-	not hardened	3	1/4-28	14	34,5	12	5	10	3,5	8	0,8	4,5	10
K0632.111004AK	A	stainless steel	1.4305	-	not hardened	4	5/16-24	18	43	15	6	13	4	10	1	6	12
K0632.111105AL	A	stainless steel	1.4305	-	not hardened	5	3/8-24	21	50	17	7	15	5	13	1,3	4,5	12
K0632.111206A5	A	stainless steel	1.4305	-	not hardened	6	1/2-13	25	59	20	8	17	6	14	1,8	6	14
K0632.111308A6	A	stainless steel	1.4305	-	not hardened	8	5/8-11	33	77	26	10	23	8	19	2,3	15	35
K0632.111410A7	A	stainless steel	1.4305	-	not hardened	10	3/4-10	33	83	28	12	25	10	22	2,6	15	34
K0632.111412A0	A	stainless steel	1.4305	-	not hardened	12	3/4-16	33	87	28	14	25	12	22	2,8	15	39
K0632.111516A8	A	stainless steel	1.4305	-	not hardened	16	1-8	40	106	32	18	28	16	27	3,2	20	46

