

Indexing plungers, steel or stainless steel with plastic mushroom grip and locknut - inch

Item description/product images

INCH
Parts



Description

Product description:

Indexing plungers are used where it is necessary to prevent changes of position due to lateral forces.

Some examples of this are for length, height and position indexing in machines, equipment, furniture and special vehicle construction.

A new indexed position can only be moved to after the pin has been manually retracted. style C and D are recommended for applications where the indexing pin should remain disengaged for an extended period and be prevented from springing back.

The materials used enable diverse applications including those with the highest demands on corrosion resistance

Material:

Steel version:

Grub screw and indexing pin steel.

Stainless steel version:

Indexing pin hardened:

Threaded sleeve 1.4305 (AISI 303 equivalent).

Indexing pin 1.4034 (AISI 420 equivalent).

Indexing pin not hardened:

Threaded sleeve 1.4305 (AISI 303 equivalent).

Indexing pin 1.4305 (AISI 303 equivalent).

Mushroom knob thermoplastic, black-gray or traffic red RAL 3020.

Version:

Steel version:

Threaded sleeve, black oxidized.

Indexing pin hardened, ground and black oxidized.

Stainless steel version:

Threaded sleeve, bright.

Indexing pin hardened, ground and bright.

Indexing pin not hardened, ground and bright.

On request:

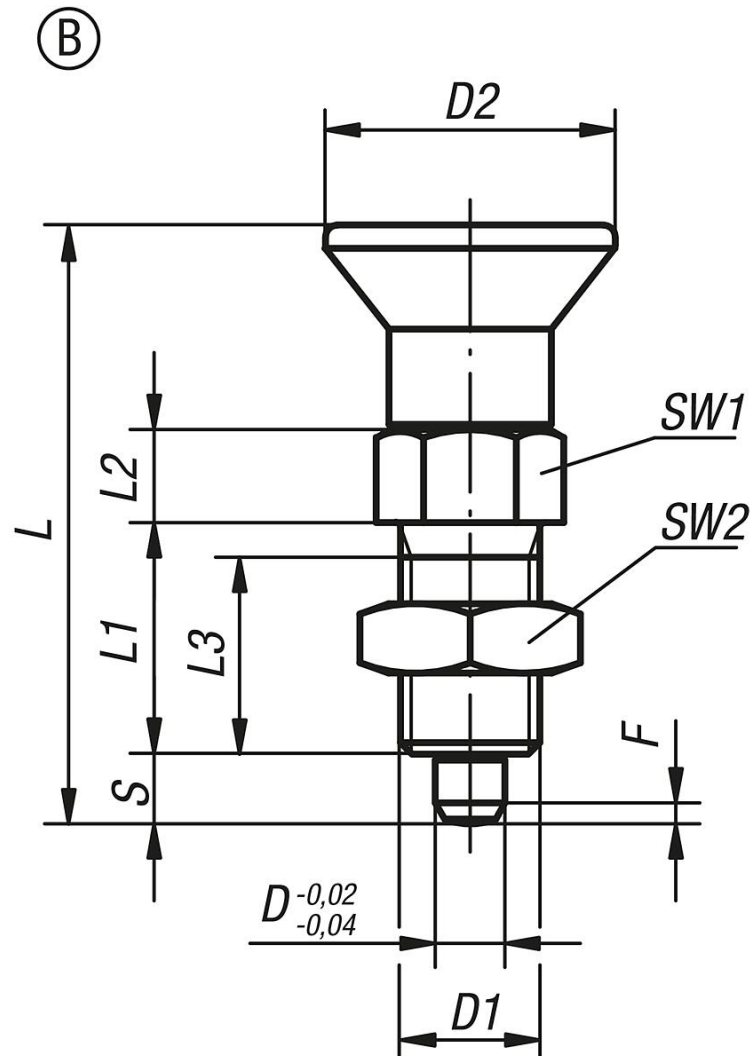
Special versions.

Accessory:

Spacer rings K0665

Indexing plungers, steel or stainless steel with plastic mushroom grip and locknut - inch

Drawings



Order No.	style	Main material	Steel code	Surface finish body	Component color	D	D1	D2	L	L1	L2	L3	Travel S	SW1	SW2	Fx30°	Spring force initial pressure F1 approx. N	Spring force final pressure F2 approx. N
K0338.2903AJ	B	steel	-	hardened	black gray RAL 7021	3	1/4-28	14	31,5	12	5	10	3,5	8	7/16	0,8	4,5	10
K0338.2004AK	B	steel	-	hardened	black gray RAL 7021	4	5/16-24	18	38,5	15	6	13	4	10	1/2	1	6	12
K0338.2105AL	B	steel	-	hardened	black gray RAL 7021	5	3/8-24	21	43,5	17	7	15	5	13	9/16	1,3	5	12
K0338.2206A5	B	steel	-	hardened	black gray RAL 7021	6	1/2-13	25	51,7	20	8	16	6	14	3/4	1,8	6	14
K0338.2308A6	B	steel	-	hardened	black gray RAL 7021	8	5/8-11	33	68	26	10	21	8	19	15/16	2,3	15	35
K0338.2410A7	B	steel	-	hardened	black gray RAL 7021	10	3/4-10	33	74	28	12	23	10	22	1-1/8	2,8	15	40
K0338.2412A0	B	steel	-	hardened	black gray RAL 7021	12	3/4-16	33	78	28	14	25	12	22	1-1/8	2,8	15	39
K0338.2516A8	B	steel	-	hardened	black gray RAL 7021	16	1-8	40	96	32	18	28	16	27	1-1/2	3,2	20	46
K0338.2903AJ84	B	steel	-	hardened	traffic red RAL 3020	3	1/4-28	14	31,5	12	5	10	3,5	8	7/16	0,8	4,5	10
K0338.2004AK84	B	steel	-	hardened	traffic red RAL 3020	4	5/16-24	18	38,5	15	6	13	4	10	1/2	1	6	12
K0338.2105AL84	B	steel	-	hardened	traffic red RAL 3020	5	3/8-24	21	43,5	17	7	15	5	13	9/16	1,3	5	12
K0338.2206A584	B	steel	-	hardened	traffic red RAL 3020	6	1/2-13	25	51,7	20	8	16	6	14	3/4	1,8	6	14
K0338.2308A684	B	steel	-	hardened	traffic red RAL 3020	8	5/8-11	33	68	26	10	21	8	19	15/16	2,3	15	35
K0338.2410A784	B	steel	-	hardened	traffic red RAL 3020	10	3/4-10	33	74	28	12	23	10	22	1-1/8	2,8	15	40
K0338.2412A084	B	steel	-	hardened	traffic red RAL 3020	12	3/4-16	33	78	28	14	25	12	22	1-1/8	2,8	15	39
K0338.2516A884	B	steel	-	hardened	traffic red RAL 3020	16	1-8	40	96	32	18	28	16	27	1-1/2	3,2	20	46
K0338.02903AJ	B	stainless steel	1.4034	hardened	black gray RAL 7021	3	1/4-28	14	31,5	12	5	10	3,5	8	7/16	0,8	4,5	10
K0338.02004AK	B	stainless steel	1.4034	hardened	black gray RAL 7021	4	5/16-24	18	38,5	15	6	13	4	10	1/2	1	6	12
K0338.02105AL	B	stainless steel	1.4034	hardened	black gray RAL 7021	5	3/8-24	21	43,5	17	7	15	5	13	9/16	1,3	5	12
K0338.02206A5	B	stainless steel	1.4034	hardened	black gray RAL 7021	6	1/2-13	25	51,7	20	8	16	6	14	3/4	1,8	6	14

Indexing plungers, steel or stainless steel with plastic mushroom grip and locknut - inch

Order No.	style	Main material	Steel code	Surface finish body	Component color	D	D1	D2	L	L1	L2	L3	Travel S	SW1	SW2	Fx30°	Spring force initial pressure F1 approx. N	Spring force final pressure F2 approx. N
K0338.02308A6	B	stainless steel	1.4034	hardened	black gray RAL 7021	8	5/8-11	33	68	26	10	21	8	19	15/16	2,3	15	35
K0338.02410A7	B	stainless steel	1.4034	hardened	black gray RAL 7021	10	3/4-10	33	74	28	12	23	10	22	1-1/8	2,8	15	40
K0338.02412A0	B	stainless steel	1.4034	hardened	black gray RAL 7021	12	3/4-16	33	78	28	14	25	12	22	1-1/8	2,8	15	39
K0338.02516A8	B	stainless steel	1.4034	hardened	black gray RAL 7021	16	1-8	40	96	32	18	28	16	27	1-1/2	3,2	20	46
K0338.02903AJ84	B	stainless steel	1.4034	hardened	traffic red RAL 3020	3	1/4-28	14	31,5	12	5	10	3,5	8	7/16	0,8	4,5	10
K0338.02004AK84	B	stainless steel	1.4034	hardened	traffic red RAL 3020	4	5/16-24	18	38,5	15	6	13	4	10	1/2	1	6	12
K0338.02105AL84	B	stainless steel	1.4034	hardened	traffic red RAL 3020	5	3/8-24	21	43,5	17	7	15	5	13	9/16	1,3	5	12
K0338.02206A584	B	stainless steel	1.4034	hardened	traffic red RAL 3020	6	1/2-13	25	51,7	20	8	16	6	14	3/4	1,8	6	14
K0338.02308A684	B	stainless steel	1.4034	hardened	traffic red RAL 3020	8	5/8-11	33	68	26	10	21	8	19	15/16	2,3	15	35
K0338.02410A784	B	stainless steel	1.4034	hardened	traffic red RAL 3020	10	3/4-10	33	74	28	12	23	10	22	1-1/8	2,8	15	40
K0338.02412A084	B	stainless steel	1.4034	hardened	traffic red RAL 3020	12	3/4-16	33	78	28	14	25	12	22	1-1/8	2,8	15	39
K0338.02516A884	B	stainless steel	1.4034	hardened	traffic red RAL 3020	16	1-8	40	96	32	18	28	16	27	1-1/2	3,2	20	46
K0338.12903AJ	B	stainless steel	1.4305	not hardened	black gray RAL 7021	3	1/4-28	14	31,5	12	5	10	3,5	8	7/16	0,8	4,5	10
K0338.12004AK	B	stainless steel	1.4305	not hardened	black gray RAL 7021	4	5/16-24	18	38,5	15	6	13	4	10	1/2	1	6	12
K0338.12105AL	B	stainless steel	1.4305	not hardened	black gray RAL 7021	5	3/8-24	21	43,5	17	7	15	5	13	9/16	1,3	5	12
K0338.12206A5	B	stainless steel	1.4305	not hardened	black gray RAL 7021	6	1/2-13	25	51,7	20	8	16	6	14	3/4	1,8	6	14
K0338.12308A6	B	stainless steel	1.4305	not hardened	black gray RAL 7021	8	5/8-11	33	68	26	10	21	8	19	15/16	2,3	15	35
K0338.12410A7	B	stainless steel	1.4305	not hardened	black gray RAL 7021	10	3/4-10	33	74	28	12	23	10	22	1-1/8	2,8	15	40
K0338.12412A0	B	stainless steel	1.4305	not hardened	black gray RAL 7021	12	3/4-16	33	78	28	14	25	12	22	1-1/8	2,8	15	39
K0338.12516A8	B	stainless steel	1.4305	not hardened	black gray RAL 7021	16	1-8	40	96	32	18	28	16	27	1-1/2	3,2	20	46
K0338.12903AJ84	B	stainless steel	1.4305	not hardened	traffic red RAL 3020	3	1/4-28	14	31,5	12	5	10	3,5	8	7/16	0,8	4,5	10
K0338.12004AK84	B	stainless steel	1.4305	not hardened	traffic red RAL 3020	4	5/16-24	18	38,5	15	6	13	4	10	1/2	1	6	12
K0338.12105AL84	B	stainless steel	1.4305	not hardened	traffic red RAL 3020	5	3/8-24	21	43,5	17	7	15	5	13	9/16	1,3	5	12
K0338.12206A584	B	stainless steel	1.4305	not hardened	traffic red RAL 3020	6	1/2-13	25	51,7	20	8	16	6	14	3/4	1,8	6	14
K0338.12308A684	B	stainless steel	1.4305	not hardened	traffic red RAL 3020	8	5/8-11	33	68	26	10	21	8	19	15/16	2,3	15	35
K0338.12410A784	B	stainless steel	1.4305	not hardened	traffic red RAL 3020	10	3/4-10	33	74	28	12	23	10	22	1-1/8	2,8	15	40
K0338.12412A084	B	stainless steel	1.4305	not hardened	traffic red RAL 3020	12	3/4-16	33	78	28	14	25	12	22	1-1/8	2,8	15	39
K0338.12516A884	B	stainless steel	1.4305	not hardened	traffic red RAL 3020	16	1-8	40	96	32	18	28	16	27	1-1/2	3,2	20	46