

Indexing plungers, steel with plastic five lobe grip - inch

Item description/product images

INCH
Parts



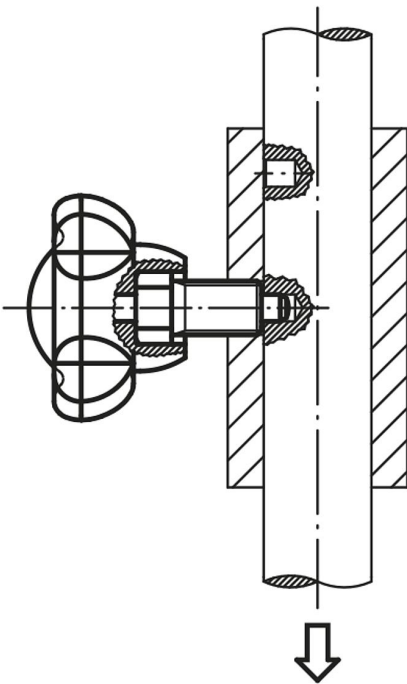
Description

Material:

Thermoplastic.
Indexing pin and screw steel 5.8.

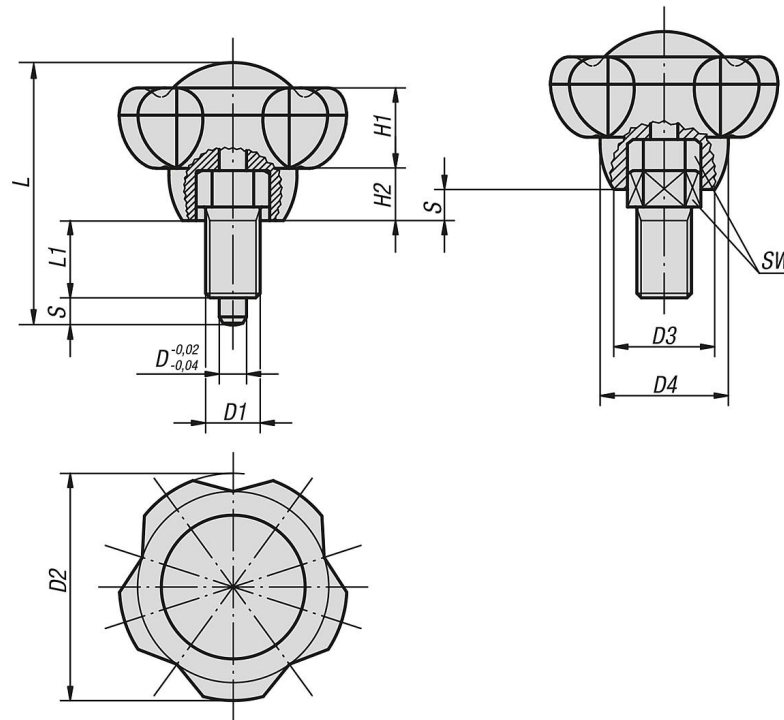
Version:

Lower grip black-gray.
Indexing pin and screw black oxidized.
Indexing pin hardened and ground.



Indexing plungers, steel with plastic five lobe grip - inch

Drawings



Indexing plungers with five lobe grip

Order No.	Size	color Cap	D	D1	D2	D3	D4	H1	H2	L	L1	Travel S	SW
K0245.1105AL	1	black gray RAL 7021	5	3/8-24	50	22,2	28,2	17,8	11,5	52,8	13	5	13
K0245.1105AL5	1	light gray RAL 7035	5	3/8-24	50	22,2	28,2	17,8	11,5	52,8	13	5	13
K0245.1105AL6	1	traffic red RAL 3020	5	3/8-24	50	22,2	28,2	17,8	11,5	52,8	13	5	13
K0245.1105AL7	1	colza yellow RAL 1021	5	3/8-24	50	22,2	28,2	17,8	11,5	52,8	13	5	13
K0245.1206A5	2	black gray RAL 7021	6	1/2-13	50	22,2	28,2	17,8	11,5	57,8	17	6	14
K0245.1206A55	2	light gray RAL 7035	6	1/2-13	50	22,2	28,2	17,8	11,5	57,8	17	6	14
K0245.1206A56	2	traffic red RAL 3020	6	1/2-13	50	22,2	28,2	17,8	11,5	57,8	17	6	14
K0245.1206A57	2	colza yellow RAL 1021	6	1/2-13	50	22,2	28,2	17,8	11,5	57,8	17	6	14
K0245.1308A6	3	black gray RAL 7021	8	5/8-11	63	28	35,5	22,5	14,5	74	22	8	19
K0245.1308A65	3	light gray RAL 7035	8	5/8-11	63	28	35,5	22,5	14,5	74	22	8	19
K0245.1308A66	3	traffic red RAL 3020	8	5/8-11	63	28	35,5	22,5	14,5	74	22	8	19
K0245.1308A67	3	colza yellow RAL 1021	8	5/8-11	63	28	35,5	22,5	14,5	74	22	8	19
K0245.1410A7	4	black gray RAL 7021	10	3/4-10	63	28	35,5	22,5	14,5	78	24	10	22
K0245.1410A75	4	light gray RAL 7035	10	3/4-10	63	28	35,5	22,5	14,5	78	24	10	22
K0245.1410A76	4	traffic red RAL 3020	10	3/4-10	63	28	35,5	22,5	14,5	78	24	10	22
K0245.1410A77	4	colza yellow RAL 1021	10	3/4-10	63	28	35,5	22,5	14,5	78	24	10	22