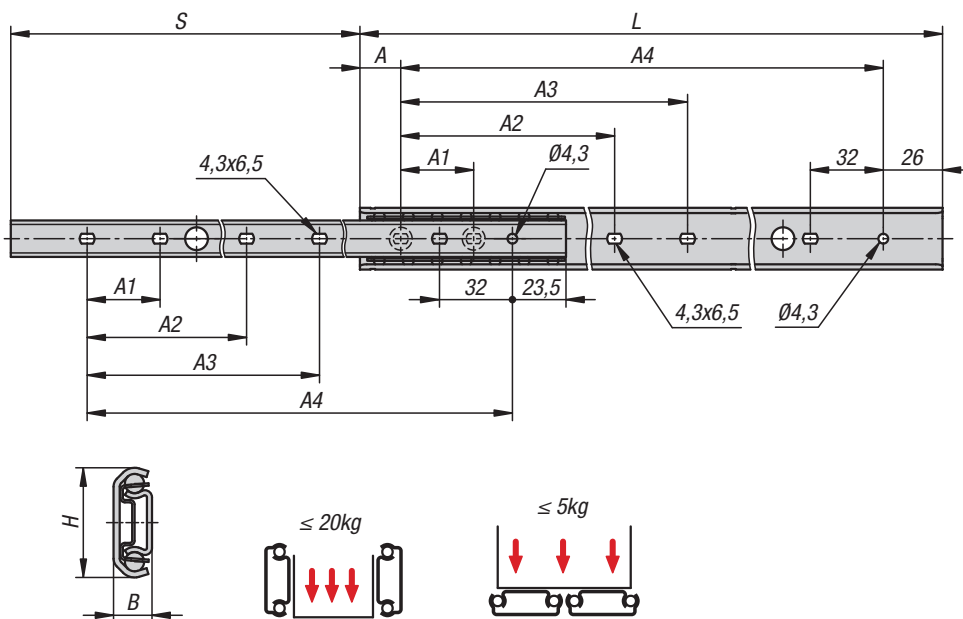


# Assembly instructions K2089



Order No.	L	S	A	A1	A2	A3	A4	Load-bearing capacity per pair kg
K2089.0200	200	145,2	14	32	-	-	160	13
K2089.0250	250	182,5	32	32	-	-	192	15
K2089.0300	300	219,8	18	32	128	-	256	18
K2089.0350	350	257,1	36	32	128	160	288	20
K2089.0400	400	294,4	22	32	160	192	352	20
K2089.0450	450	331,7	40	32	160	192	384	20
K2089.0500	500	369	26	32	192	224	448	18

All fastening positions must be used so that the maximum load value is achieved.

Install the slide on or below the drawer centre line.

Not suitable for flat mounting.

# Assembly instructions K2089



## Rail fastening

