

Knurled Nuts High Style steel and stainless steel, DIN 466

Item description/product images

METRIC
Parts



Description

Material:

Steel 1.0718.

Stainless steel 1.4305 (AISI 303 equivalent).

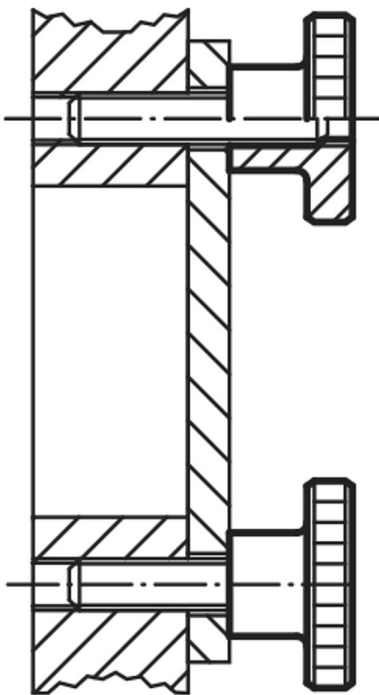
Version:

Steel black oxide finish.

Stainless steel bright.

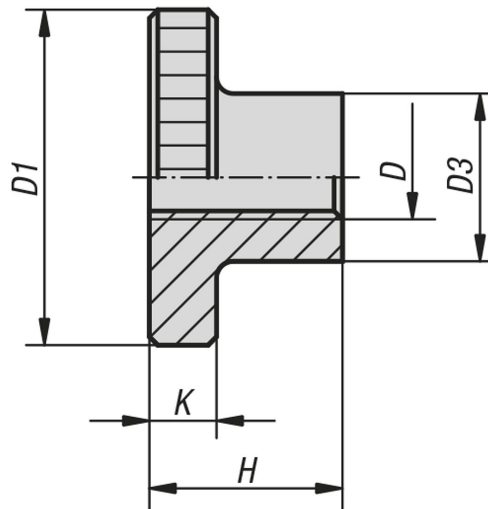
Note:

M12 high knurled nuts are not included in the official standards sheet.



Knurled Nuts High Style steel and stainless steel, DIN 466

Drawings



Knurled Nuts High Style steel and stainless steel, DIN 466

Item No.	Main material	D	D1	D3	H	K
K0143.04	free-cutting steel	M4	16	8	9,5	3,5
K0143.05	free-cutting steel	M5	20	10	11,5	4
K0143.06	free-cutting steel	M6	24	12	15	5
K0143.08	free-cutting steel	M8	30	16	18	6
K0143.10	free-cutting steel	M10	36	20	23	8
K0143.12	free-cutting steel	M12	36	20	23	8
K0143.042	stainless steel	M4	16	8	9,5	3,5
K0143.052	stainless steel	M5	20	10	11,5	4
K0143.062	stainless steel	M6	24	12	15	5
K0143.082	stainless steel	M8	30	16	18	6
K0143.102	stainless steel	M10	36	20	23	8
K0143.122	stainless steel	M12	36	20	23	8