

Knurled Nuts Flat steel and stainless steel, DIN 467

Item description/product images

METRIC
Parts



Description

Material:

Steel 1.0718.

Stainless steel 1.4305 (AISI 303 equivalent).

Version:

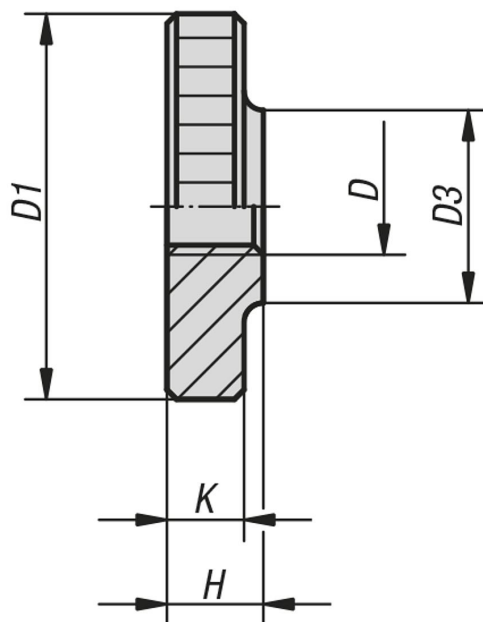
Steel black oxide finish.

Stainless steel bright.

Note:

M12 flat knurled nuts are not included in the official standards sheet.

Drawings



Knurled Nuts Flat, steel and stainless steel, DIN 467

| Item No. | Main material | D | D1 | D3 | H | K |
|----------|--------------------|----|----|----|---|-----|
| K0144.04 | free-cutting steel | M4 | 16 | 8 | 4 | 3,5 |
| K0144.05 | free-cutting steel | M5 | 20 | 10 | 5 | 4 |
| K0144.06 | free-cutting steel | M6 | 24 | 12 | 6 | 5 |
| K0144.08 | free-cutting steel | M8 | 30 | 16 | 8 | 6 |

Knurled Nuts Flat steel and stainless steel, DIN 467

| Item No. | Main material | D | D1 | D3 | H | K |
|-----------|--------------------|-----|----|----|----|-----|
| K0144.10 | free-cutting steel | M10 | 36 | 20 | 10 | 8 |
| K0144.12 | free-cutting steel | M12 | 36 | 20 | 10 | 8 |
| K0144.042 | stainless steel | M4 | 16 | 8 | 4 | 3,5 |
| K0144.052 | stainless steel | M5 | 20 | 10 | 5 | 4 |
| K0144.062 | stainless steel | M6 | 24 | 12 | 6 | 5 |
| K0144.082 | stainless steel | M8 | 30 | 16 | 8 | 6 |
| K0144.102 | stainless steel | M10 | 36 | 20 | 10 | 8 |
| K0144.122 | stainless steel | M12 | 36 | 20 | 10 | 8 |