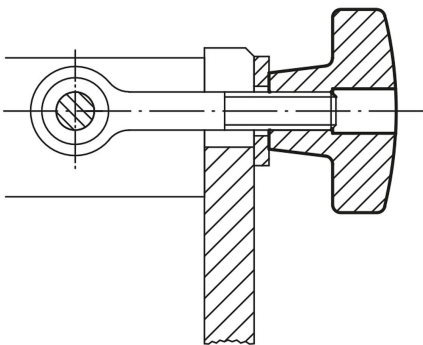


## Palm Grips gray cast iron DIN 6335, Style D, metric

Item description/product images

METRIC  
Parts



### Description

**Material:**

Gray cast iron GJL 200

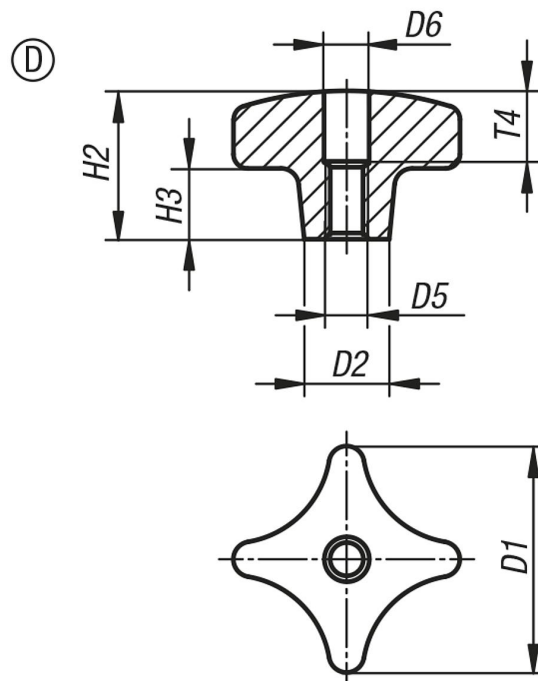
**Version:**

All styles have a natural tumbled finish.

**Drawing reference:**

Style D: tapped and drilled

### Drawings



Item No.	Style	Style	D1	D2	D5	D6	H2	H3	T4
K0147.406	tumbled	D	32	12	M6	6,4	20	-	10
K0147.408	tumbled	D	40	14	M8	8,4	25	-	12
K0147.410	tumbled	D	50	18	M10	10,5	32	-	16

## Palm Grips gray cast iron DIN 6335, Style D, metric

Item No.	Style	Style	D1	D2	D5	D6	H2	H3	T4
K0147.412	tumbled	D	63	20	M12	13	40	-	20
K0147.416	tumbled	D	80	25	M16	17	50	-	30
K0147.420	tumbled	D	100	32	M20	21	63	-	38