

Two-Spoke Handwheels aluminum planed, without handle, inch

Item description/product images

INCH
Parts



Description

Material:

Handwheel aluminum, centre hub galvanized steel.

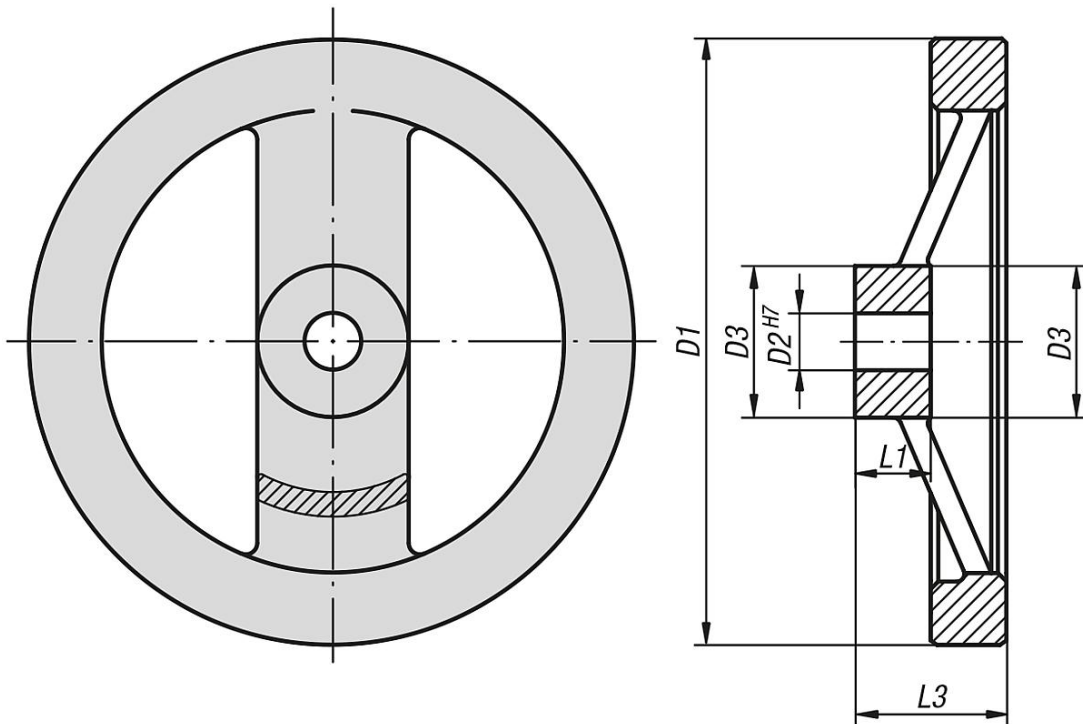
Version:

Wheel rim turned and polished.

On request:

Square hole broached hubs or powder-coated handwheels.

Drawings



Item No.	D1	D2 series 1	D2 series 2	D3	L1	L3
K0162.0080XCN	80	0,312	-	24	16	28
K0162.0080XCO	80	-	0,375	24	16	28
K0162.0100XCO	100	0,375	-	26	17	33
K0162.0100XCP	100	-	0,5	26	17	33
K0162.0125XCO	125	0,375	-	31	18	33,5
K0162.0125XCP	125	-	0,5	31	18	33,5

Two-Spoke Handwheels aluminum planed, without handle, inch

Item No.	D1	D2 series 1	D2 series 2	D3	L1	L3
K0162.0160XCP	160	0,5	-	36	20	39
K0162.0160XCQ	160	-	0,625	36	20	39
K0162.0200XCQ	200	0,625	-	42	24	45
K0162.0200XCR	200	-	0,75	42	24	45
K0162.0250XCR	250	0,75	-	48	28	51
K0162.0250XCV	250	-	0,875	48	28	51