

Pull Handles stainless steel, Style A

Item description/product images



Description

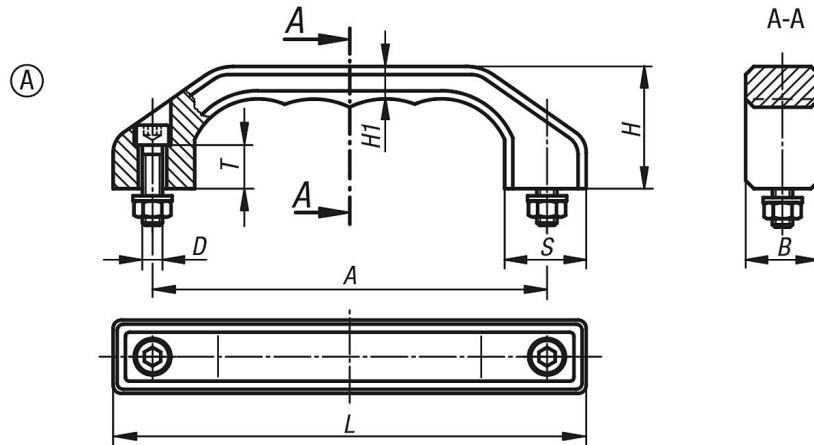
Material:

Precision cast stainless steel 1.4308.
Fastening material stainless steel 1.4301.

Version:

Abrasive cleaned and matte gloss electropolished.

Drawings



Item No.	Style	A	B	D	H	H1	L	S	T	Load capacity N
K0198.140081	A	140	25	M8x30	45	12	170	28	15	1000
K0198.180101	A	180	32	M10x40	58	15	218	36	18	1000