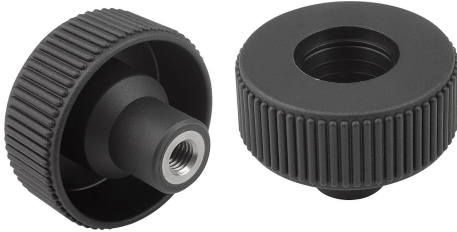


Knurled Wheels components in stainless steel, internal thread, Style D, inch

Item description/product images



Description

Product description:

NOVO grip Knurled Wheels are ergonomic, eye appealing, durable and offer a firm and safe grip. Ideal for all applications. Strength and durability are guaranteed with NOVO grip Knurled Wheels.

Material:

Thermoplastic, bushing and threaded bolt in stainless steel 1.4305.

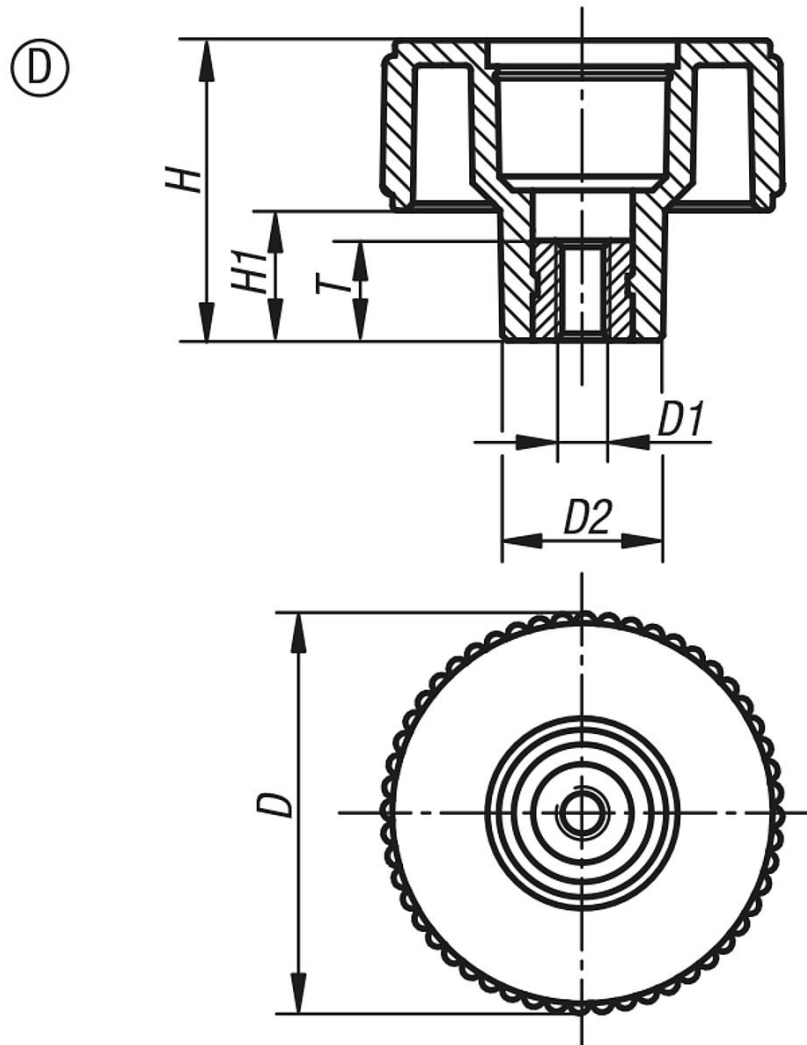
Version:

Stainless steel natural finish.

Drawing reference:

Style D: tapped through hole without cap

Drawings



**Knurled Wheels components in stainless steel, internal thread, Style D,
inch**

Item No.	Style	Size	D	D1	D2	H	H1	T
K0261.11A1	D	1	40	10-32	16,5	31	13	10
K0261.11A2	D	1	40	1/4-20	16,5	31	13	10
K0261.11A3	D	1	40	5/16-18	16,5	31	13	14
K0261.12A3	D	2	50	5/16-18	18	36	15	14
K0261.12A4	D	2	50	3/8-16	18	36	15	14
K0261.13A4	D	3	63	3/8-16	22	41	17	14
K0261.13A5	D	3	63	1/2-13	22	41	17	18