

Spring plungers plastic, slotted, POM ball

Item description/product images

METRIC
Parts



Description

Material:

Body plastic.
Ball POM.
Spring stainless steel 1.4310 (AISI 310 equivalent) wire.

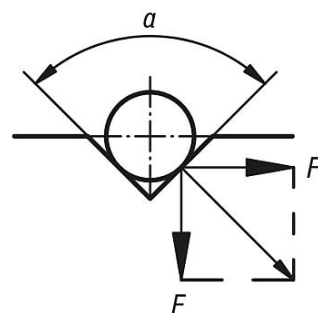
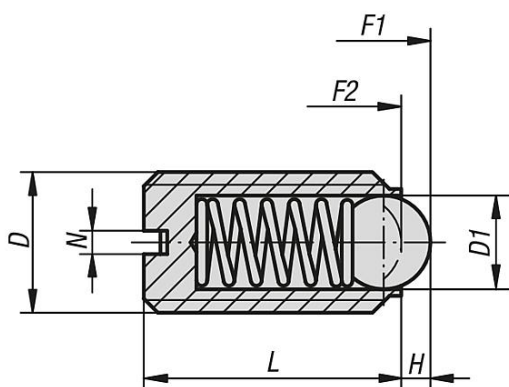
Version:

Ball, white.

Note:

Spring Plungers are used for indexing and positioning.
They can also be used as ejectors.

Drawings



$$a = 60^\circ, F' = 1,732 \times F$$

$$a = 90^\circ, F' = F$$

$$a = 120^\circ, F' = 0,577 \times F$$

Spring plungers with slot and POM ball, plastic

Item No.	D	D1	H	L	N	Spring force initial pressure F1 approx. N	Spring force final pressure F2 approx. N
K0311.06	M6	3,5	1	14	1	9	13
K0311.08	M8	5	1,5	16	1,2	15	30
K0311.10	M10	6	2	19	1,6	20	40