

Spring Plungers LONG-LOK pin style, slotted, stainless steel, standard end pressure, metric

Item description/product images



Description

Material:

Body in stainless steel 1.4305;
pressure pin in stainless steel 1.4034;
spring in stainless steel 1.4310

LONG-LOK thread system in nylon

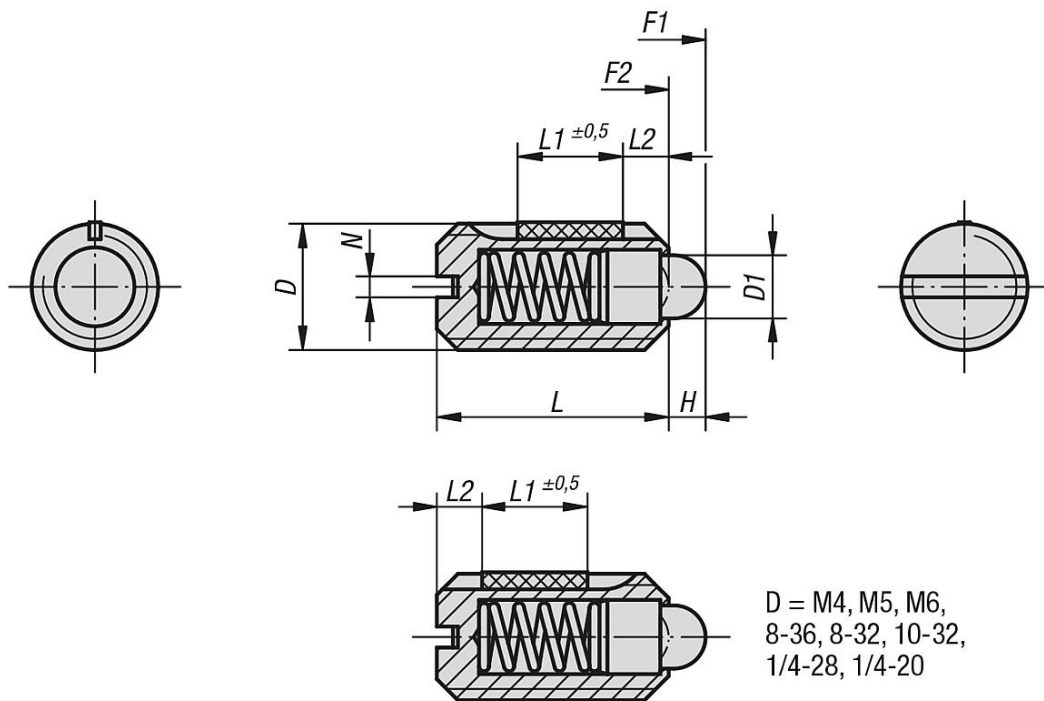
Version:

Body natural finish,
pressure pin hardened

Drawing reference:

L2 = approx. 2x thread pitch

Drawings



Item No.	D	D1	L	L1	H	N	Spring force initial pressure F1 approx. N	Spring force final pressure F2 approx. N	Tightening torque approx. Nm	Loosening torque approx. Nm
K0324.04	M4	1,8	9	5	1,5	0,6	6	20	0,18	0,12
K0324.05	M5	2,4	12	6	2	0,8	6	20	0,12	0,08
K0324.06	M6	2,7	14	7	2	1	7	20	0,44	0,21
K0324.08	M8	4	16	8	2	1,2	15	30	1,1	0,38
K0324.10	M10	4,5	19	9	2,5	1,6	20	35	1,36	0,62
K0324.12	M12	6	22	10	3,5	2	30	55	2,11	1,41
K0324.16	M16	8,5	24	14	4,5	2,5	45	100	3,95	3,05