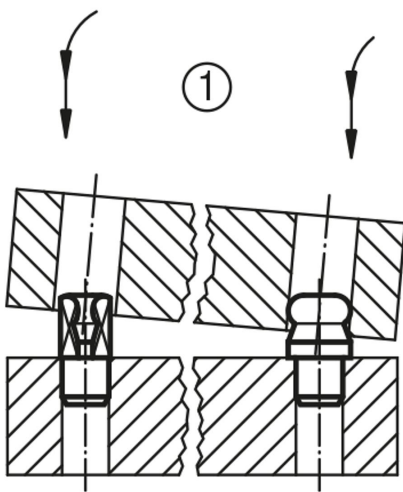


## Locating Components with ball end, Style B

Item description/product images

METRIC  
Parts



### Description

**Material:**

Tool steel or stainless steel 1.4305.

**Version:**

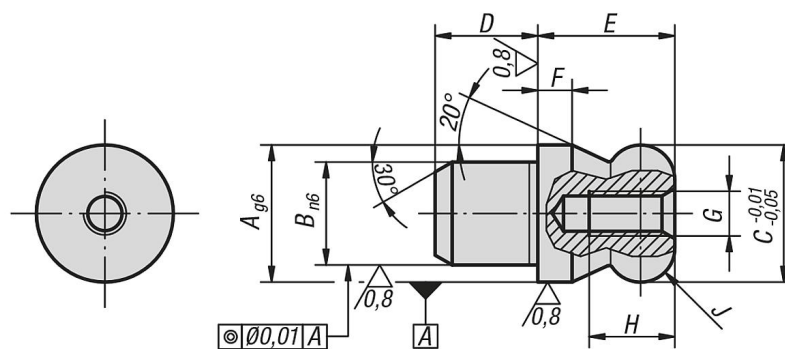
Steel hardened and ground.

Stainless steel ground and kolsterized.

**Note:**

Ball end locating pins are specially designed to ease the locating process. The tendency to jam, caused by the locating hole not being at right angles to the pin or by the pushing force not being parallel to the pin axis, is minimized by the ball end form (see mounting illustration 1).

### Drawings



### Locating Components with ball end, Style B, metric

Item No. Tool steel	Item No. Stainless steel	A	B	C	D	E	F	G	H	J
K0351.10	K0351.510	10	7	10	7	10	2,5	M3	6	R 2,5
K0351.12	K0351.512	12	8	12	8	12	3	M4	8	R 3
K0351.16	K0351.516	16	12	16	12	16	4	M5	10	R 4
K0351.20	K0351.520	20	14	20	14	20	5	M5	10	R 5
K0351.22	-	22	16	22	16	22	5,5	M5	10	R 5,5

**Locating Components with ball end, Style B**

Item No. Tool steel	Item No. Stainless steel	A	B	C	D	E	F	G	H	J
K0351.25	-	25	18	25	18	25	6	M5	10	R 6